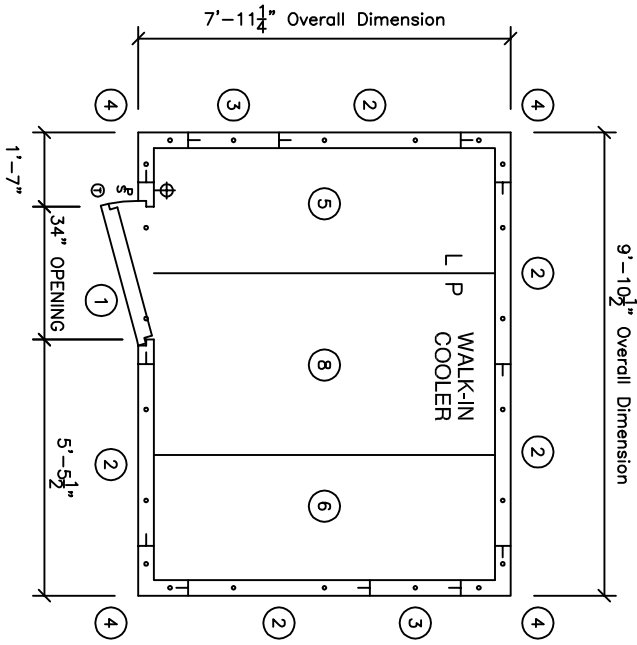
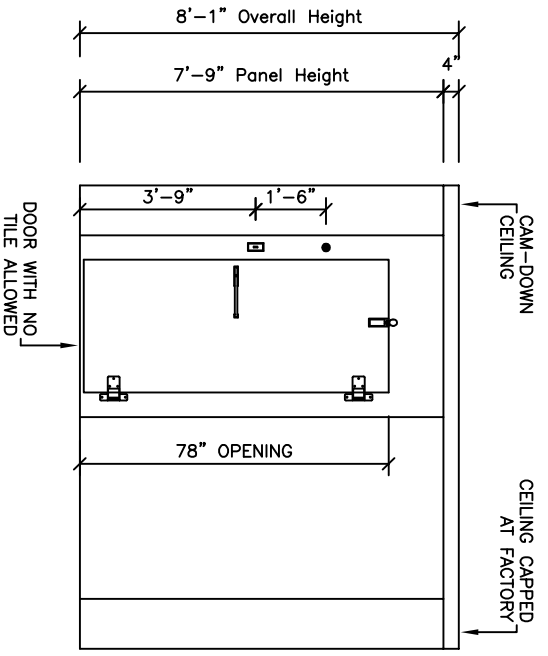


WALK-IN SPECIFICATIONS



PLAN VIEW

DOOR LOCATION IS GENERIC. VERIFY WITH OWNER OR G.C. BEFORE INSTALLING.



ELEVATION

DESCRIPTION:		N.S.F. APPROVED INDOOR WALK-IN COOLER	
INSULATION:		FOAMED-IN PLACE U.L. LISTED, CLASS 1 URETHANE FOAM INSULATION WITH A FLAME SPREAD RATING LESS THAN 25 AND SMOKE DENSITY LESS THAN 450 WHEN TESTED IN ACCORDANCE TO ASTM E84 (UL 723)	
FINISHES:		WALL PANELS: 4" HIGH DENSITY FRAME. CEILING PANELS: 4" HIGH DENSITY FRAME. INTERIOR: 26 GA. STUCCO EMBOSSED GALVALUM. EXPOSED EXTERIOR: 26 GA. STUCCO EMBOSSED GALVALUM. UNEXPOSED EXTERIOR: 26 GA. STUCCO EMBOSSED GALVALUM.	
DOOR(S):		(1) 34" x 78" FLUSH-IN FITTING COOLER DOOR DOOR & DOOR SECTION FINISHES: INTERIOR: 26 GA. STUCCO EMBOSSED GALVALUM. EXTERIOR: 26 GA. STUCCO EMBOSSED GALVALUM. WALK-IN DOOR TO BE EQUIPPED WITH: (2) KASON CAM-RISE HINGES MODEL #1256 (2) KASON DOOR LATCH MODEL #1229 (1) KASON DOOR CLOSER MODEL #1094	
ACCESSORIES:		<ul style="list-style-type: none"> ⊕ (1) KASON VAPOR PROOF LIGHT FIXTURE BASE TO BE SURFACE MOUNTED AND INSTALLED AT FACTORY ON DOOR SECTION (PRE-WIRED) (GLOBE SHIPPED LOOSE) ⊕ (1) KASON VAPOR PROOF LIGHT FIXTURE TO BE SURFACE MOUNTED ON CEILING (GLOBE/BASE SHIPPED LOOSE) ⊕ (1) Single Pole Toggle EAGLE SWITCH AND RED NEON PILOT LIGHT-FLUSH MOUNTED ON EXTERIOR LEG PORTION OF DOOR SECTION AT 42" ABOVE FINISHED FLOOR. ⊕ (1) 2" Dig SOLAR POWER DIGITAL THERMOMETER-FLUSH MOUNTED ON EXTERIOR LEG PORTION OF DOOR SECTION AT 63" ABOVE FINISHED FLOOR LINE. 	
ADDITIONAL ACCESSORIES:		<ul style="list-style-type: none"> 1. 6" EXTERIOR COVE BASE TO MATCH (SHIPPED LOOSE) 2. WALL CLOSURES TO MATCH (SHIPPED LOOSE) 3. 3/4" X 3/4" STANDARD SILL (SHIPPED LOOSE) 	
GENERAL NOTES:		<ul style="list-style-type: none"> 1. ALL ELECTRICAL WORK BY ELECTRICIAN 2. ALL PLUMBING WORK BY OTHERS 	
NOTE: THIS DRAWING CAN NOT BE CONSIDERED APPROVED UNTIL THE FOLLOWING ITEMS ARE CLARIFIED AND INITIALED.			
____ 1. DOOR IS NOT DESIGNED TO ALLOW TILE ON FINISHED FLOOR LINE.			
____ 2. DOOR SWING SHOULD BE LEFT _____ OR RIGHT _____.			
PARTS LIST		MANUFACTURER OF DESCRIPTION	
QTY.	DESC.		
15	WALK-IN COOLER		
PARTS LIST			
8	1	CEILING PANEL	46 1/2" X 95 1/4"
6	1	CEILING PANEL (END)	36" X 95 1/4"
5	1	CEILING PANEL (END)	36" X 95 1/4"
4	4	CORNER PANEL	12 3/4" X 12 3/4" X 93"
3	2	WALL PANEL	23 1/4" X 93"
2	5	WALL PANEL	46 1/2" X 93"
1	1	DOOR & DOOR SECTION	46 1/2" X 93"
COMMENTS: WALK-IN COOLER 8 X 10			
DATE	APPROVALS	SIZE	REV.
	DESIGN: S.G.	C	K81086LFRS
SCALE: 1/2" = 1'-0"	DRW. NO. K81086LFRS	SHEET	OF
<p>21720 S. Wilmington Ave., Long Beach, California 90820 Tel. (310) 592-8000 Fax (310) 518-198</p>			