

WALK-IN SPECIFICATIONS

DESCRIPTION: N.S.F. APPROVED INDOOR WALK-IN COOLER

INSULATION: FOAMED-IN PLACE U.L. LISTED, CLASS 1 URETHANE FOAM INSULATION WITH A FLAME SPREAD RATING LESS THAN 25 AND SMOKE DENSITY LESS THAN 450 WHEN TESTED IN ACCORDANCE TO ASTM E84 (UL 723)

WALL PANELS: 4" HIGH DENSITY FRAME.
CEILING PANELS: 4" HIGH DENSITY FRAME.

FINISHES: INTERIOR: 26 GA. STUCCO EMBOSSED GALVALUM.
EXPOSED EXTERIOR: 26 GA. STUCCO EMBOSSED GALVALUM.
UNEXPOSED EXTERIOR: 26 GA. STUCCO EMBOSSED GALVALUM.

DOOR(S): (1) 34" x 78" FLUSH-IN FITTING COOLER DOOR
DOOR & DOOR SECTION FINISHES:
INTERIOR: 26 GA. STUCCO EMBOSSED GALVALUM.
EXTERIOR: 26 GA. STUCCO EMBOSSED GALVALUM.

WALK-IN DOOR TO BE EQUIPPED WITH:
(2) KASON CAM-RISE HINGES MODEL #1256
(1) KASON DOOR LATCH MODEL #1229
(1) KASON DOOR CLOSER MODEL #1094

ACCESSORIES: Φ (1) KASON VAPOR PROOF LIGHT FIXTURE BASE TO BE SURFACE MOUNTED AND INSTALLED AT FACTORY ON DOOR SECTION (PRE-WIRED) (GLOBE SHIPPED LOOSE)
 Φ (1) KASON VAPOR PROOF LIGHT FIXTURE TO BE SURFACE MOUNTED ON CEILING (GLOBE/BASE SHIPPED LOOSE)
 \mathcal{E} (1) Single Pole Toggle EAGLE SWITCH AND RED NEON PILOT LIGHT-FLUSH MOUNTED ON EXTERIOR LEG PORTION OF DOOR SECTION AT 42" ABOVE FINISHED FLOOR.
 Φ (1) 2" Dig SOLAR POWER DIGITAL THERMOMETER-FLUSH MOUNTED ON EXTERIOR LEG PORTION OF DOOR SECTION AT 63" ABOVE FINISHED FLOOR LINE.

ADDITIONAL ACCESSORIES: 1. 6" EXTERIOR COVE BASE TO MATCH (SHIPPED LOOSE)
2. WALL CLOSURES TO MATCH (SHIPPED LOOSE)
3. 3/4" X 3/4" STANDARD SILL (SHIPPED LOOSE)

GENERAL NOTES: 1. ALL ELECTRICAL WORK BY ELECTRICIAN
2. ALL PLUMBING WORK BY OTHERS

NOTE: THIS DRAWING CAN NOT BE CONSIDERED APPROVED UNTIL THE FOLLOWING ITEMS ARE CLARIFIED AND INITIALED.

1. DOOR IS NOT DESIGNED TO ALLOW TILE ON FINISHED FLOOR LINE.
2. DOOR SWING SHOULD BE LEFT _____ OR RIGHT _____.

QTY.	DESCRIPTION	UNIT	REMARKS
6	1 CEILING PANEL (END)	36"	X 95 1/4"
5	1 CEILING PANEL (END)	36"	X 95 1/4"
4	4 CORNER PANEL	12 3/4" x 12 3/4"	X 93"
3	2 WALL PANEL	23 1/4" x 93"	
2	3 WALL PANEL	46 1/2" x 93"	
1	1 DOOR & DOOR SECTION	46 1/2" x 93"	

PARTS LIST

WALK-IN COOLER

COMMENTS: OS LF BX S


DATE: _____

APPROVALS: _____

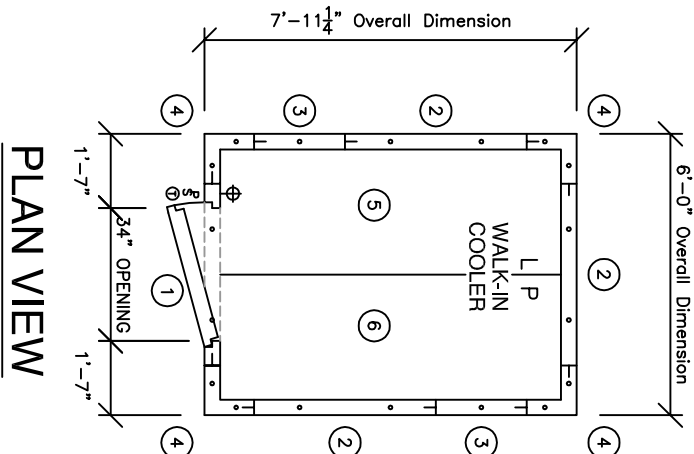
DESIGN: S.M.

OVERSEER: _____

SCALE: 1/2" = 1'-0" P.O. NO. _____ SHEET _____ OF _____

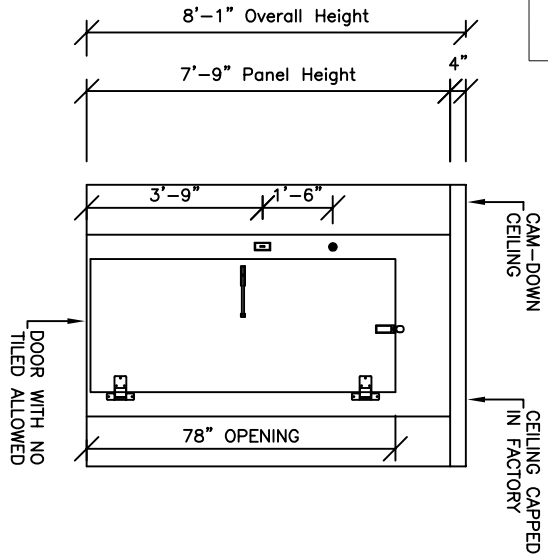


21720 S. Wilmington Ave., Long Beach, California 90270
Tel: (310) 982-2800 Fax: (310) 982-9198



PLAN VIEW

DOOR LOCATION IS GENERIC. VERIFY WITH OWNER OR G.C. BEFORE INSTALLING.



ELEVATION