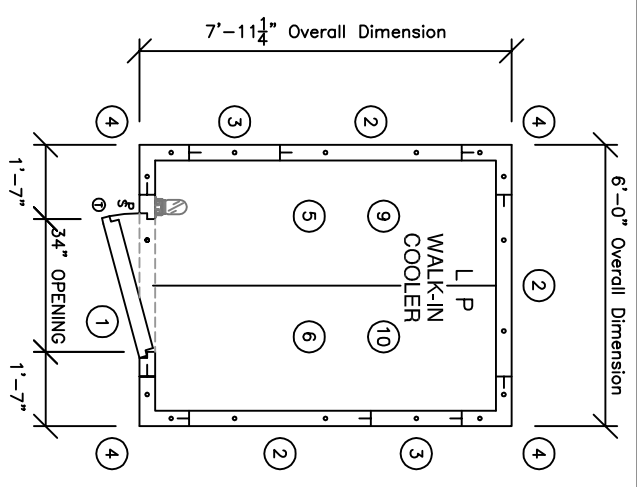
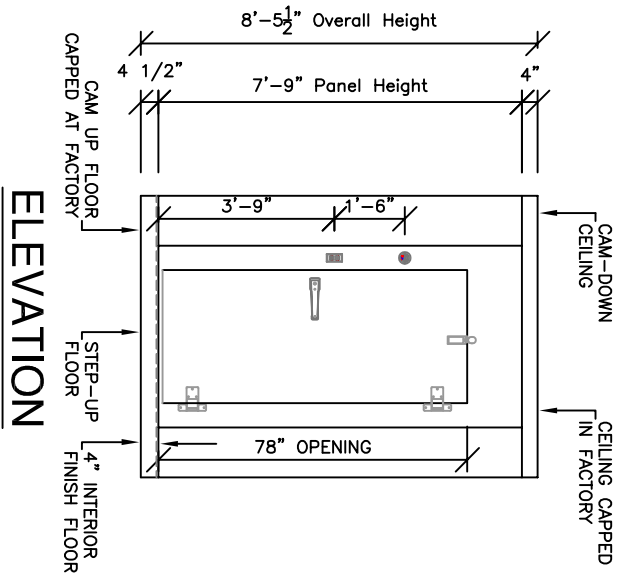


WALK-IN SPECIFICATIONS



PLAN VIEW

DOOR LOCATION IS GENERIC. VERIFY WITH OWNER OR G.C. BEFORE INSTALLING.



ELEVATION

DESCRIPTION: N.S.F. APPROVED INDOOR WALK-IN COOLER.
INSULATION: FOAMED-IN PLACE U.L. LISTED, CLASS 1 URETHANE FOAM INSULATION WITH A FLAME SPREAD RATING LESS THAN 25 AND SMOKE DENSITY LESS THAN 450 WHEN TESTED IN ACCORDANCE TO ASTM E84 (UL 723)

FLOOR: WALL PANELS: 4" HIGH DENSITY FRAME.
CEILING PANELS: 4" HIGH DENSITY FRAME.
PRE-FAB N.S.F. COVERED STEP-UP FLOOR.

FINISHES: INTERIOR: 26 GA. STUCCO EMBOSSED GALVALUM.
EXPOSED EXTERIOR: 26 GA. STUCCO EMBOSSED GALVALUM
UNEXPOSED EXTERIOR: 26 GA. STUCCO EMBOSSED GALVALUM.
FLOOR FINISH: .10 SMOOTH ALUMINUM.

DOOR(S): (1) 34" x 78" FLUSH-IN FITTING COOLER DOOR WALK-IN DOOR TO BE EQUIPPED WITH:
(2) KASON CAM-RISE HINGES MODEL #1256
(1) KASON DOOR LATCH MODEL #1229
(1) KASON DOOR CLOSER MODEL #1094

DOOR & DOOR SECTION FINISHES:
INTERIOR: 26 GA. STUCCO EMBOSSED GALVALUM.
EXTERIOR: 26 GA. STUCCO EMBOSSED GALVALUM.

ACCESSORIES: ⊕ (1) KASON VAPOR PROOF LIGHT FIXTURE BASE TO BE SURFACE MOUNTED AND INSTALLED AT FACTORY ON DOOR SECTION (PRE-WIRED) (GLOBE SHIPPED LOOSE)
⊕ (1) KASON VAPOR PROOF LIGHT FIXTURE TO BE SURFACE MOUNTED ON CEILING (GLOBE/BASE SHIPPED LOOSE)
⊕ (1) Single Pole Toggle Eagle Switch and Red Neon Pilot Light-Flush Mounted on Exterior Leg Portion of Door Section at 45" Above Finished Floor.

⊕ (1) 2" Dia. Solar Power Digital Thermometer-Flush Mounted on Exterior Leg Portion of Door Section at 63" Above Finished Floor Line.

ADDITIONAL ACCESSORIES:
1. 6" EXTERIOR COVE BASE TO MATCH (SHIPPED LOOSE)
2. WALL CLOSURES TO MATCH (SHIPPED LOOSE)

GENERAL NOTES:
1. ALL CEILING PANELS CAPPED AT FACTORY.
2. ALL ELECTRICAL & PLUMBING WORK BY OTHERS
3. COOLER DOOR NOT DESIGN TO ALLOW FOR TILE.
4. ALL DIMENSIONS SUBJECT TO CHANGE UPON FIELD MEASUREMENTS

QTY.	GR. RECD.	DESCRIPTION	UNIT	PRICE	TOTAL
10	1	FLOOR PANEL (END)	36"	X 95	1/4"
9	1	FLOOR PANEL (END)	36"	X 95	1/4"
6	1	CEILING PANEL (END)	36"	X 95	1/4"
5	1	CEILING PANEL (END)	36"	X 95	1/4"
4	4	CORNER PANEL	12	3/4" x 12	3/4" X 93"
3	2	WALL PANEL	23	1/4" X 93"	
2	3	WALL PANEL	46	1/2" X 93"	
1	1	DOOR & DOOR SECTION	46	1/2" X 93"	

WALK-IN COOLER

APPROVALS: S.M. DATE: _____

DESIGNED BY: C SCALE: 1/2"=1'-0"

21720 S. Wilmington Ave. Suite 309 • Long Beach, California 90810
Tel: (310) 525-8000 • Fax: (310) 515-8189

Kool Star

REVISION: K800686CWFRS