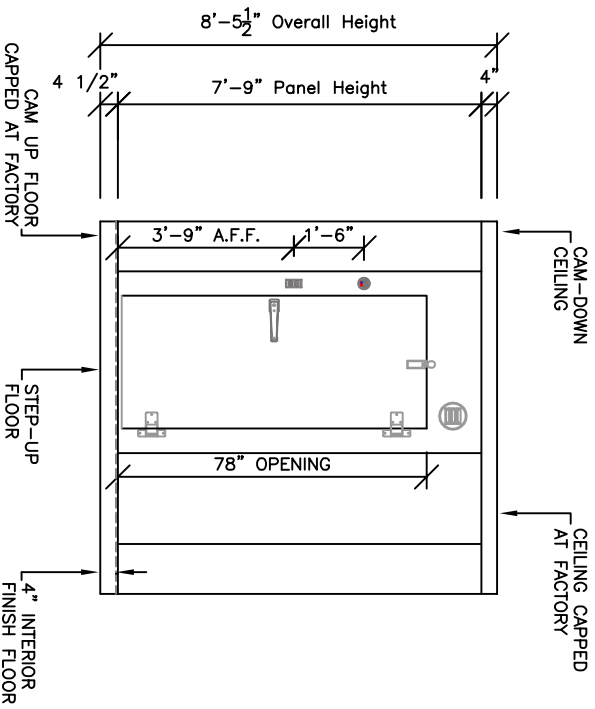


PLAN VIEW



ELEVATION

DOOR LOCATION IS GENERIC. VERIFY WITH OWNER OR G.C. BEFORE INSTALLING.

**DESCRIPTION:** N.S.F. APPROVED INDOOR WALK-IN FREEZER.  
**INSULATION:** FOAMED-IN PLACE U.L. LISTED, CLASS 1 URETHANE FOAM INSULATION WITH A FLAME SPREAD RATING LESS THAN 25 AND SMOKE DENSITY LESS THAN 450 WHEN TESTED IN ACCORDANCE TO ASTM E84 (UL 723)

**WALL PANELS:** 4" HIGH DENSITY FRAME.  
**CEILING PANELS:** 4" HIGH DENSITY FRAME.

**FLOOR:** PRE-FAB N.S.F. COVERED STEP-UP FLOOR.  
**FINISHES:** INTERIOR: 26 GA. STUCCO EMBOSSED GALVALUM.  
 EXPOSED EXTERIOR: 26 GA. STUCCO EMBOSSED GALVALUM  
 UNEXPOSED EXTERIOR: 26 GA. STUCCO EMBOSSED GALVALUM.  
 FLOOR FINISH: .10 SMOOTH ALUMINUM.

**DOOR(S):** (1) 34" x 78" FLUSH-IN FITTING FREEZER DOOR W/HEATER CABLE ON FOUR SIDES OF DOOR.  
 WALK-IN DOOR TO BE EQUIPPED WITH:  
 (2) KASON CAM-RISE HINGES MODEL #1256  
 (1) KASON DOOR LATCH MODEL #1229  
 (1) KASON DOOR CLOSER MODEL #1094  
**DOOR & DOOR SECTION FINISHES:**  
 INTERIOR: 26 GA. STUCCO EMBOSSED GALVALUM.  
 EXTERIOR: 26 GA. STUCCO EMBOSSED GALVALUM.

**ACCESSORIES:** Ⓢ (1) KASON VAPOR PROOF LIGHT FIXTURE BASE TO BE SURFACE MOUNTED AND INSTALLED AT FACTORY ON DOOR SECTION (PRE-WIRED) (GLOBE SHIPPED LOOSE)  
 Ⓢ (1) KASON VAPOR PROOF LIGHT FIXTURE TO BE SURFACE MOUNTED ON CEILING (GLOBE/BASE SHIPPED LOOSE)  
 Ⓢ (1) Single Pole Toggle EAGLE SWITCH AND RED NEON PILOT LIGHT-FLUSH MOUNTED ON EXTERIOR LEG PORTION OF DOOR SECTION AT 45" ABOVE FINISHED FLOOR.  
 Ⓢ (1) 2" Dia. SOLAR POWER DIGITAL THERMOMETER-FLUSH MOUNTED ON EXTERIOR LEG PORTION OF DOOR SECTION AT 63" ABOVE FINISHED FLOOR LINE.  
 Ⓢ (1) KASON Model # 1830 PRESSURE RELIEF PORT-FLUSH MOUNTED ON EXTERIOR TOP PORTION OF WALK-IN DOOR SECTION.

**ADDITIONAL ACCESSORIES:** 1. 6" EXTERIOR COVE BASE TO MATCH (SHIPPED LOOSE)  
 2. WALL CLOSURES TO MATCH (SHIPPED LOOSE)  
**GENERAL NOTES:** 1. ALL CEILING PANELS CAPPED AT FACTORY.  
 2. ALL ELECTRICAL & PLUMBING WORK BY OTHERS  
 3. ALL DIMENSIONS SUBJECT TO CHANGE UPON FIELD MEASUREMENTS

11	1	FLOOR PANEL	23	1/4"	X	95	1/4"
10	1	FLOOR PANEL (END)	36"		X	95	1/4"
9	1	FLOOR PANEL (END)	36"		X	95	1/4"
7	1	CEILING PANEL	23	1/4"	X	95	1/4"
6	1	CEILING PANEL (END)	36"		X	95	1/4"
5	1	CEILING PANEL (END)	36"		X	95	1/4"
4	4	CORNER PANEL	12	3/4"	X	12	3/4"
3	3	WALL PANEL	23	1/4"	X	93"	
2	3	WALL PANEL	46	1/2"	X	93"	
1	1	DOOR & DOOR SECTION	46	1/2"	X	93"	

PARTS LIST



21720 S. Wilmington Ave. Suite 309 • Long Beach, California 90801  
 Tel: (310) 552-9800 Fax: (310) 512-8198

COMPANY:	WALK-IN FREEZER
JOB SHEET NAME:	
APPROVALS:	DATE:
DESIGNER: S.M.	
CHECKER:	
SCALE: 1/2"=1'-0"	
PROJECT NO.:	
REVISED BY: CUSTOMER'S DWG.	DATE: 10/10/00
REVISED BY: K80886FWFRS	DATE: 10/10/00
REVISION:	
SHEET:	OF: