



PRS-2 SERIES

Packaged Refrigeration Systems



Wall mount
models available

PRS-2: The Keyword Is “Simple”

Simple Convenience

PRS-2 series models give you the convenience of a condensing unit and evaporator coil assembled together in one housing and ready to mount on the top or side of your Kool Star walk-in.

Simple Installation

Refrigeration labor costs are greatly reduced because there's no piping or other components to field install. Certain indoor models come with a power cord so the unit can be plugged in. Indoor units also have a standard condensate evaporator pan to eliminate the need for a drain line.

Simple Guarantee

Each refrigeration system is fully assembled, evacuated, charged, run tested and wired at the factory for reliable performance. Adding to that assurance is a warranty covering parts, labor and the compressor for one year. An optional extended four year compressor warranty is available.



The PRS-2 evaporator grille mounts flush in a standard 4" thick panel allowing maximum storage space.

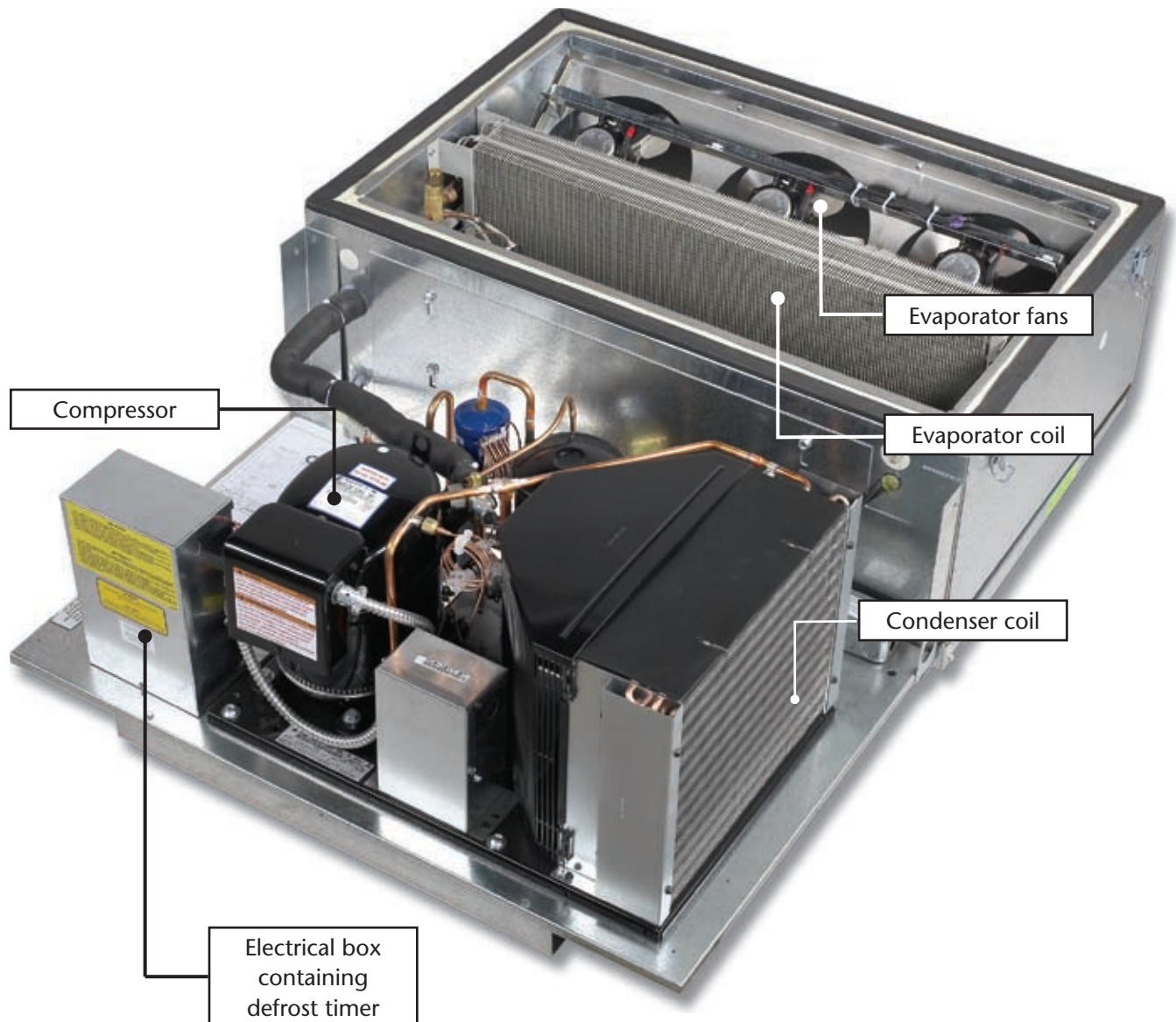


PRS-2 units are available in both indoor and outdoor models and in ceiling or wall mount (left) versions. Outdoor models are standard with a crank-case heater, drainline heater, head master and weather hood.



PRS-2 Refrigeration System Design

A convenient combination of condensing unit and evaporator coil in one package.

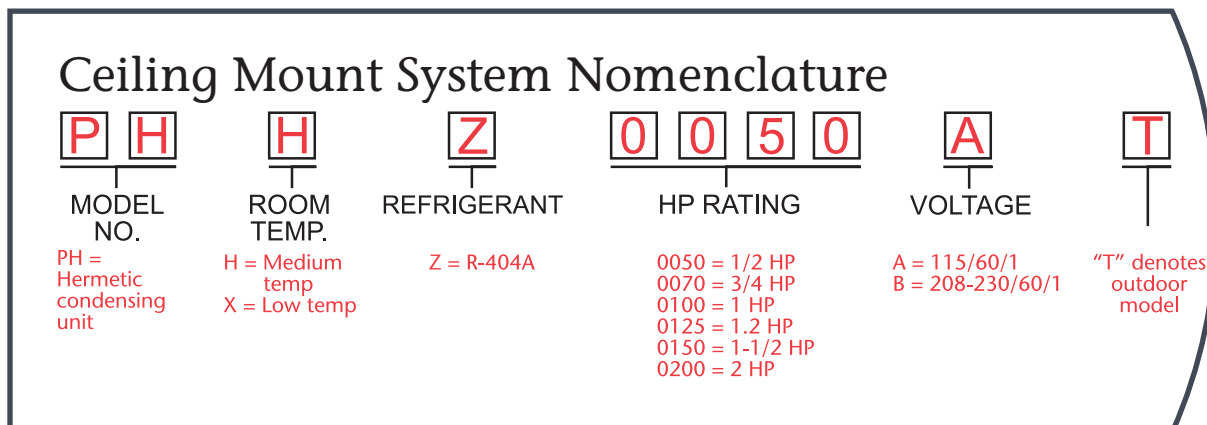


System Specifications

Ceiling Mount Systems

PRS-2 MODEL*	BTUH @ 90°F -10°F BOX TEMP	BTUH @ 90°F 35°F BOX TEMP	REFG. TYPE	DIMENSIONS SEE FIGURE... (P. 6)	HP	ELECTRICAL DATA					SHIP WT. LB/KG
						MCA	MOP	RLA	VOLTAGE	NEMA PLUG	
CEILING MOUNT COOLER SYSTEMS											
PHHZ0050A	N/A	5630	R-404A	NS	.5	14	20	10.1	115/60/1	5-20P	230/105
PHHZ0050AT	N/A	5630	R-404A	NS	.5	14	20	10.1	115/60/1	N/A	275/125
PHHZ0070B	N/A	7740	R-404A	NM	.75	11	15	7.7	208-230/60/1	6-20P	320/145
PHHZ0070BT	N/A	7740	R-404A	NM	.75	11	15	7.7	208-230/60/1	N/A	360/164
PHHZ0100B	N/A	11,200	R-404A	NL	1	17	20	11.0	208-230/60/1	N/A	410/186
PHHZ0100BT	N/A	11,200	R-404A	NL	1	17	20	11.0	208-230/60/1	N/A	480/218
CEILING MOUNT FREEZER SYSTEMS											
PHXZ0070B	2700	N/A	R-404A	NM	.75	11	15	7.7	208-230/60/1	6-20P	280/127
PHXZ0070BT	2700	N/A	R-404A	NM	.75	11	15	7.7	208-230/60/1	N/A	310/141
PHXZ0100B	3680	N/A	R-404A	NM	1	13	20	9.6	208-230/60/1	N/A	370/168
PHXZ0100BT	3680	N/A	R-404A	NM	1	13	20	9.6	208-230/60/1	N/A	410/186
PHXZ0125B	3980	N/A	R-404A	NL	1.2	12	15	8.4	208-230/60/1	N/A	465/211
PHXZ0125BT	3980	N/A	R-404A	NL	1.2	12	15	8.4	208-230/60/1	N/A	510/232
PHXZ0150B	6060	N/A	R-404A	NL	1.5	17	25	11.4	208-230/60/1	6-20P	525/239
PHXZ0150BT	6060	N/A	R-404A	NL	1.5	17	25	11.4	208-230/60/1	N/A	565/257
PHXZ0200B	6510	N/A	R-404A	NL	2	17	25	11.4	208-230/60/1	6-20P	525/239
PHXZ0200BT	6510	N/A	R-404A	NL	2	17	25	11.4	208-230/60/1	N/A	565/257
PHXZ0201B	8000	N/A	R-404A	NL	2	18	20	11.2	208-230/60/1	N/A	611/278
PHXZ0201BT	8000	N/A	R-404A	NL	2	17	20	11.0	208-230/60/1	N/A	691/314

*Outdoor models denoted with a "T" suffix. See chart below.

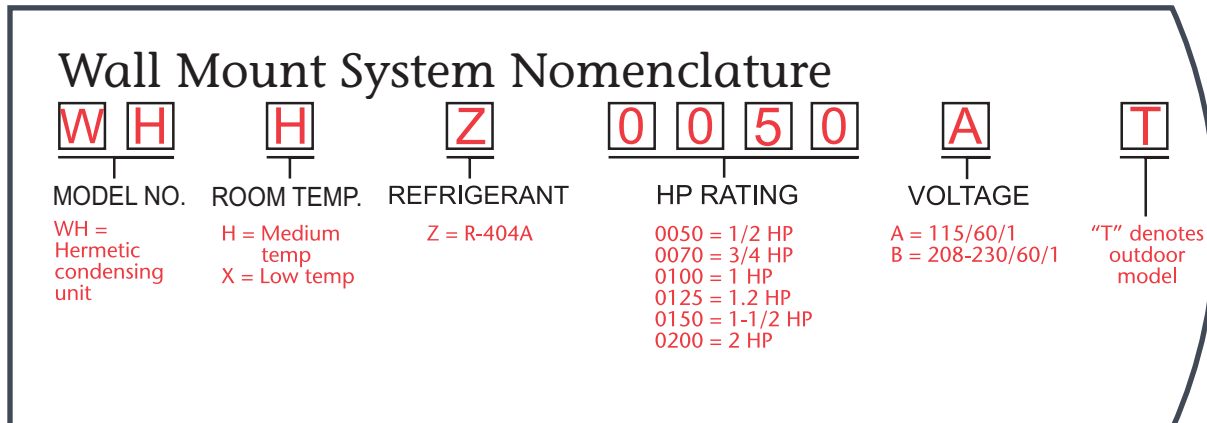




Wall Mount Systems

PRS-2 MODEL*	BTUH @ 90°F -10°F BOX TEMP	BTUH @ 90°F 35°F BOX TEMP	REFG. TYPE	DIMENSIONS SEE FIGURE... (P. 7)	HP	ELECTRICAL DATA				SHIP WT. LB/KG
						MCA	MOP	RLA	VOLTAGE	
WALL MOUNT COOLER SYSTEMS										
WHHZ0050A	N/A	3,251	R-404A	NSW	1/2	14.4	20	9.1	115/60/1	294/133
WHHZ0050AT	N/A	3,251	R-404A	NSW	1/2	14.7	20	9.1	115/60/1	296/134
WHHZ0070B	N/A	5,709	R-404A	NLW	3/4	9.7	15	6.3	208-230/60/1	480/217
WHHZ0070BT	N/A	5,709	R-404A	NLW	3/4	10.6	15	6.3	208-230/60/1	487/220
WALL MOUNT FREEZER SYSTEMS										
WHXZ0050B	2,110	N/A	R-404A	NSW	5/8	8.3	15	4.4	208-230/60/1	321/145
WHXZ0050BT	2,110	N/A	R-404A	NSW	5/8	9.6	15	4.4	208-230/60/1	323/146
WHXZ0070B	2,845	N/A	R-404A	NSW	3/4	9.9	15	4.4	208-230/60/1	478/216
WHXZ0070BT	2,845	N/A	R-404A	NSW	3/4	9.9	15	4.4	208-230/60/1	480/217
WHXZ0100B	3,960	N/A	R-404A	NLW	1	9.7	15	6.3	208-230/60/1	529/239
WHXZ0100BT	3,960	N/A	R-404A	NLW	1	10.1	15	6.3	208-230/60/1	531/240
WHXZ0150B	5,560	N/A	R-404A	NLW	1.5	14.2	20	8.5	208-230/60/1	549/248
WHXZ0150BT	5,560	N/A	R-404A	NLW	1.5	14.6	20	8.5	208-230/60/1	581/263

*Outdoor models denoted with a "T" suffix. See chart below.



System Dimensions

Ceiling Mount Systems

Figure NS

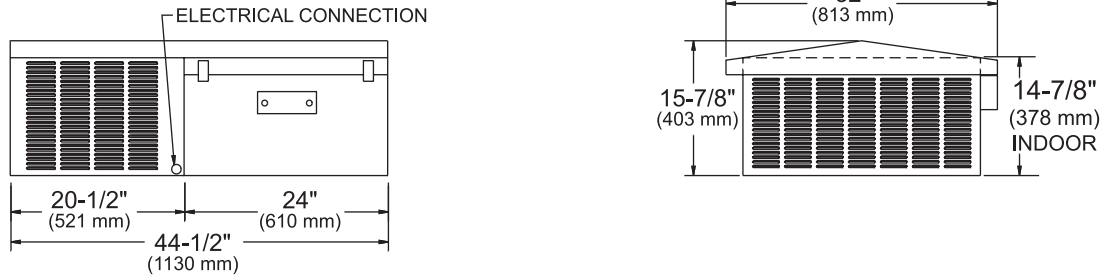


Figure NM

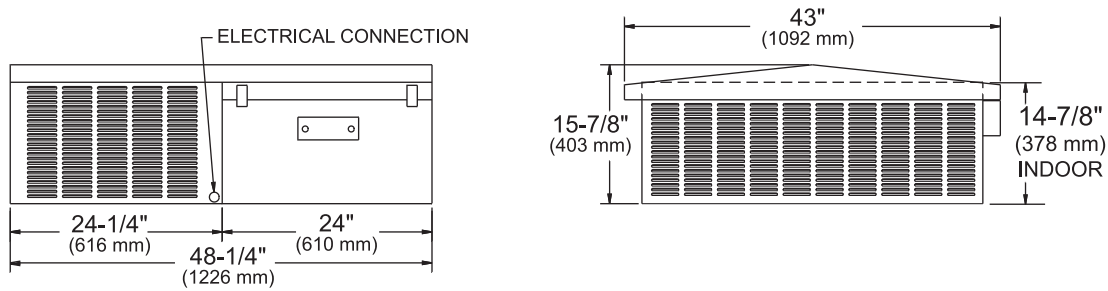
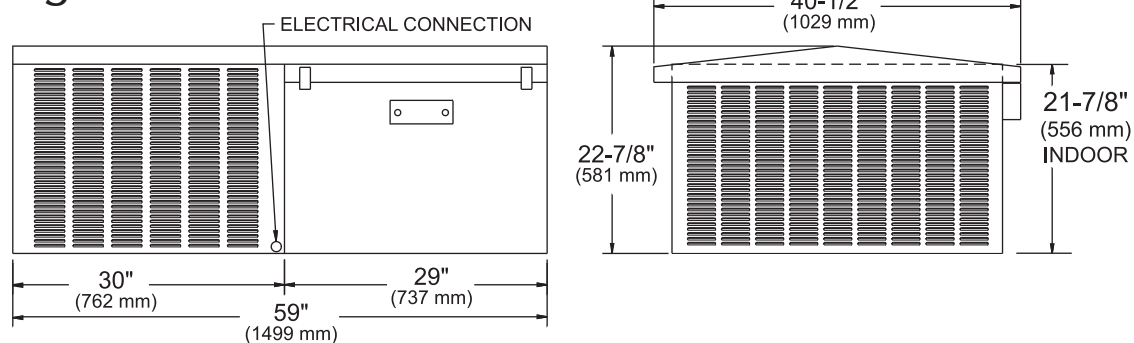


Figure NL

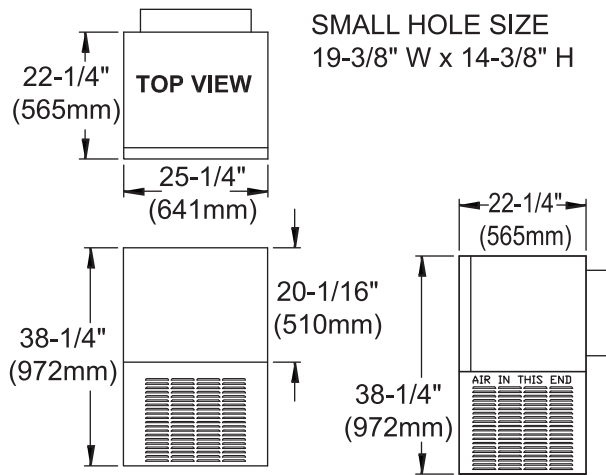


Consult Factory For Agency Listings



Wall Mount Systems

Figure NSW



WALL MOUNT
OUTDOOR MODELS

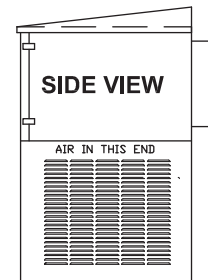
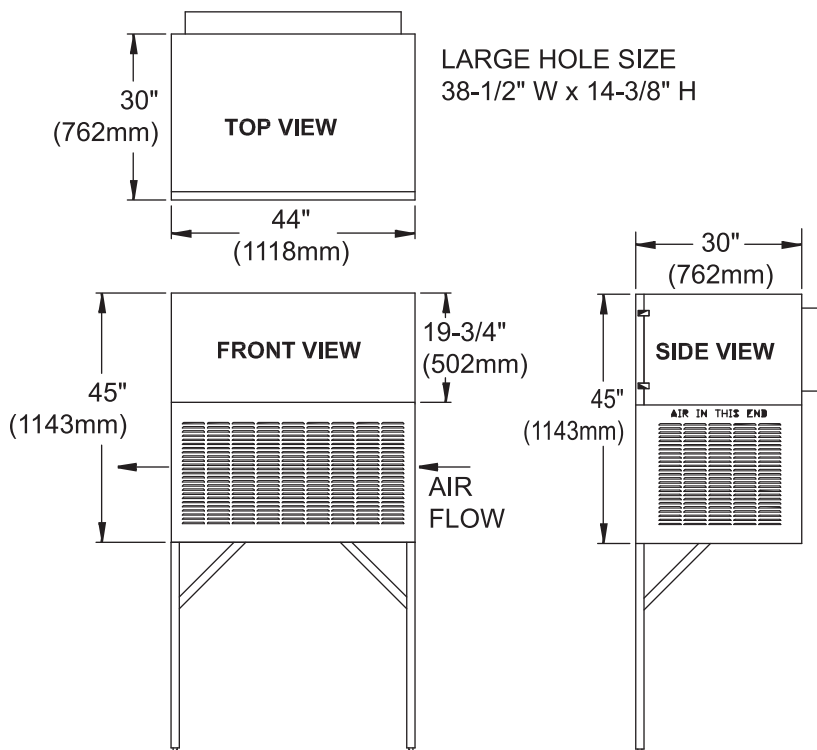


Figure NLW



Consult Factory For Agency Listings



908 Hwy 15 North
New Albany, MS 38652
Sales: 888-478-8600
Service: 855-815-4567
www.koolstar.com



Due to continuous product enhancements, we reserve the
right to change specifications without notice.

1283-11/10-1m ©2006-2010 Kool Star division of Standex International, Inc.
All rights reserved. Printed in USA.