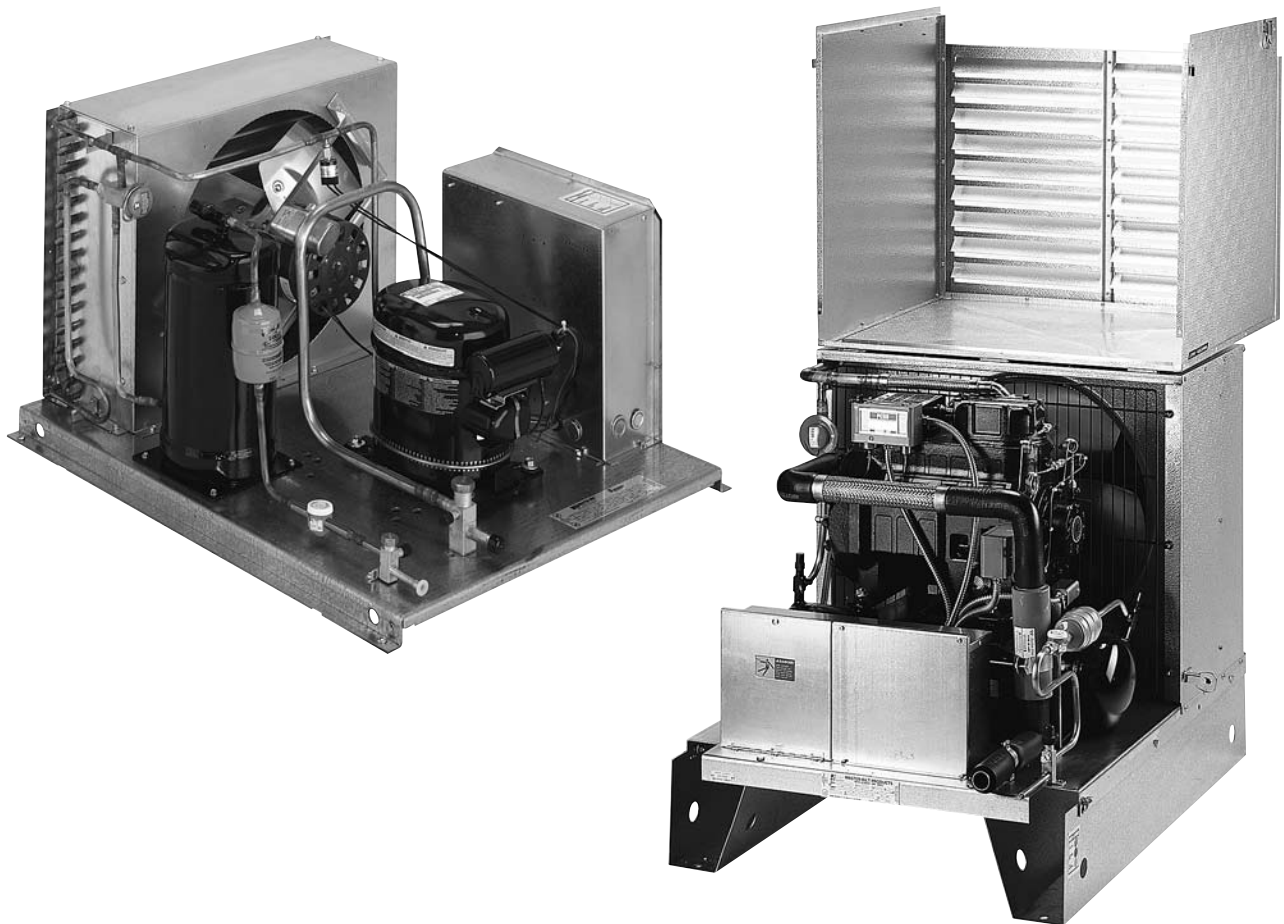


Kool Star[®]

Standex
Food Service Equipment Group

Condensing Unit and Refrigeration System Installation & Operations Manual



21720 South Wilmington Ave.
Bldg. 450, Suite 308
Long Beach, CA 90810
888-478-8600 or 310-952-8000 ext. 2225
Fax 310-513-8156
www.koolstar.com

TABLE OF CONTENTS

INTRODUCTION	3
WARNING LABELS AND SAFETY INSTRUCTIONS	4
B-SERIES CONDENSING UNIT FEATURES.....	5
M-SERIES CONDENSING UNIT FEATURES	6
REFRIGERATION NOMENCLATURE	7
PRE-INSTALLATION INSTRUCTIONS	8
General Information	8
Delivery Inspection	8
INSTALLATION INSTRUCTIONS.....	8
Handling and Placement of Condensing Unit.....	8
Handling and Placement of Evaporator Coil in Walk-In	9
Electrical	9
Refrigerant Piping.....	9
Leak Check.....	10
Evacuation, Dehydration and Start-Up	10
Evacuation Procedure	10
Finish Charging Procedures.....	10
Preliminary	10
Remote "M-Series"	11
Built-Up Remote "B-Series" Condensing Units.....	11
Pre-Charged Remote Refrigeration Systems.....	12
Final Check List for All Models.....	13
R-404A SUCTION AND LIQUID LINE SIZES	14
R-22 SUCTION AND LIQUID LINE SIZES	16
EQUIVALENT LENGTH ALLOWANCE FOR FITTINGS	18
LOW AMBIENT OPERATION CHARGE	19
CONDENSING UNIT SPECIFICATIONS.....	21
UNIT BASE SPECIFICATIONS	37
SALE AND DISPOSAL.....	40
INSTALLATION DATA.....	41

INTRODUCTION

Thank you for purchasing our refrigeration equipment. This manual contains important instructions for installation, use and service. Read all of this manual carefully before installing or servicing your refrigeration equipment.

**NOTICE**

Installation and service of the refrigeration and electrical components must be performed by a refrigeration mechanic or licensed electrician.

The portions of this manual covering refrigeration and electrical components contain technical instructions intended only for persons qualified to perform refrigeration and electrical work.

**DANGER**

**Equipment MUST be properly grounded.
Improper or faulty hook-up of electrical components of the refrigeration units can result in severe injury or death.
All electrical wiring hook-ups must be done in accordance with all applicable local, regional or national standards.**

**NOTICE**

Read this manual before installing your refrigeration. Keep the manual and refer to it before doing any service. Failure to do so could result in personal injury or equipment damage.

This manual cannot cover every installation, use or service situation. If you need additional information, contact us at:

**888-478-8600 or 310-952-8000 ext. 2225
Fax 310-513-8156**

WARNING LABELS AND SAFETY INSTRUCTIONS



This is the safety-alert symbol. When you see this symbol, be alert to the potential for personal injury or damage to your equipment.

Be sure you understand all safety messages and always follow recommended precautions and safe operating practices.



NOTICE TO EMPLOYERS

You must make sure that everyone who installs, uses or services your refrigeration is thoroughly familiar with all safety information and procedures.

Important safety information is presented in this section and throughout the manual. The following signal words are used in the warnings and safety messages.

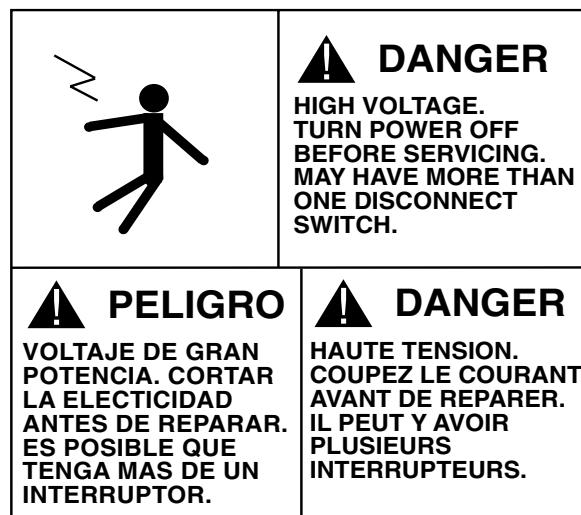
DANGER: Severe injury or death WILL occur if you ignore the message.

WARNING: Severe injury or death CAN occur if you ignore the message.

CAUTION: Minor injury or damage to your refrigeration can occur if you ignore the message.

NOTICE: This is important installation, operation or service information. If you ignore the message, you may damage your refrigeration.

The warning and safety labels shown throughout this manual are placed on your equipment at the factory. Follow all warning label instructions. If any warning or safety labels become lost or damaged, call our service department at 888-478-8600 for replacements.



This label is located on the condensing unit.

B-SERIES CONDENSING UNIT FEATURES

STANDARD COMPONENTS

The B-Series units offer the most complete set of standard features (pre-wired and mounted except as noted)*

These include:

- Liquid line and suction line vibration absorbers(eliminators) for semi-hermetic units only
- Adjustable dual pressure control
- Head pressure control (flooding valve)
- Corrosion-resistant hinged weather hood with lockable snap-down hood latch for easy installation and service access
- Suction line filter
- Heavy-duty 12 gauge galvanized steel legs
- Pre-wired electrical control panel with timer and circuit breaker or fuse block
- Crankcase heater
- Liquid line filter/drier
- Sight glass
- Liquid and suction line kit with service valve
- Liquid line solenoid valve (shipped loose)
- Timer
- Generously-sized condenser (for 105° to 110° ambient)
- Large liquid receiver (good for maximum 250 ft. line run)
- Defrost heater contactor when required
- Compressor contactor used in 1¹/₂ HP units and up
- PSC fan motors
- One year limited compressor warranty

*Components may vary depending on horsepower and application. Consult our factory for verification of standard and optional components.

OPTIONALLY AVAILABLE

- Water-cooled units
- Special voltages
- Condensing units above 40 H.P.
- Insulated and heated receiver (thermostatically controlled)
- Suction accumulator (shipped loose)
- R-22 demand cooling on Discus compressors
- Coated condenser coils
- Phase loss/low voltage monitor
- Factory pre-assembled evaporator coil (includes factory pre-mounting of thermostatic air control and expansion valve)
- Pre-mounted solenoid at evaporator
- Extended four year limited compressor warranty

M-SERIES CONDENSING UNIT FEATURES

STANDARD COMPONENTS

The M-Series set of standard features (pre-wired and mounted except as noted)* include:

- Liquid line and suction line vibration absorbers (eliminators) for semi-hermetic units only
- Preset non-adjustable high pressure control and preset non-adjustable low pressure control**
- Crankcase heater
- Head pressure control (flooding valve)
- Heavy gauge, galvanized steel mechanically-fastened weather hood
- Suction service valve
- Heavy-duty angle leg base
- Liquid line filter/drier
- Pre-wired electrical control panel
- Sight glass
- Liquid and suction line kit with service valve
- Timer (standard on low temp units only)
- Compressor contactor
- Defrost heater contactor (when required)
- Generously-sized condenser (rated up to 120° ambient)
- Rifled tubes in condenser for greater efficiency
- PSC condenser fan motors
- Large liquid receiver (good for maximum 100 ft. line run)
- One year limited compressor warranty

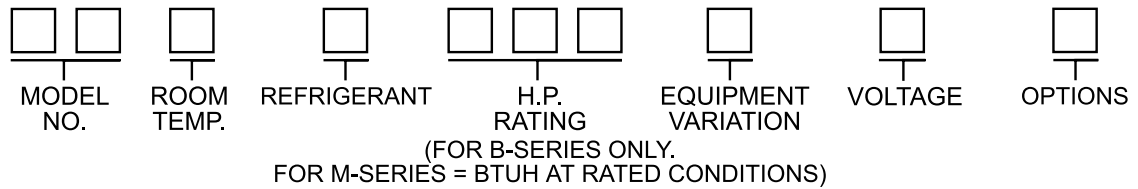
*Components may vary depending on horsepower and application. Consult our factory for verification of standard and optional components.

**Preset high pressure control and preset low pressure control are non-adjustable in medium temp M-Series units. The low pressure control is adjustable in low temp units.

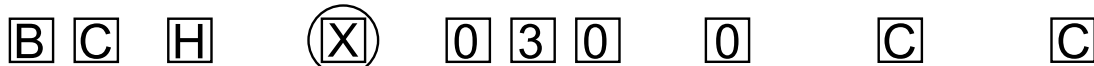
OPTIONALLY AVAILABLE

- Special voltages
- Insulated and heated receiver (thermostatically controlled)
- Suction accumulator
- Coated condenser coils
- Oil separator
- Phase loss/low voltage monitor
- Factory pre-assembled evaporator coil (includes factory pre-mounting of thermostatic air control and expansion valve)
- Factory pre-charged system with quick connect liquid and suction line sets up to 40 ft. (specify length when ordering)
- Adjustable low pressure control for medium and high temp units
- Dual pressure control
- Circuit breaker
- Suction filter
- Fan cycling switch
- Pre-mounted solenoid at evaporator
- Liquid line solenoid valve (shipped loose)
- Timer for medium temp units
- Extended four year limited compressor warranty

REFRIGERATION NOMENCLATURE



FOR EXAMPLE:



“X” = R-22 refrigerant “Z” = R-404A “Y” = R-134a

MODEL NUMBER EXPLANATION (CONVENTIONAL = ACCESSIBLE HERMETIC)

BC = Built-up Remote Conventional Condensing Unit MH = Hermetic Condensing Unit
 BH = Built-up Remote Hermetic Condensing Unit MS = Scroll Condensing Unit
 BS = Built-up Remote Scroll Condensing Unit MD = Discus Condensing Unit
 MC = Conventional Condensing Unit

ROOM TEMPERATURE EXPLANATION

H = +35° Thru +70° F. Room Temperature L = 0° F. Thru -20° F. Room Temperature
 M = +25° Thru +34° F. Room Temperature

HORSEPOWER RATING EXPLANATION (NOTE: APPLIES TO B-SERIES ONLY)

005 = ½ H.P.	017 = 1¾ H.P.	030 = 3 H.P.	075 = 7½ H.P.	150 = 15 H.P.	270 = 27 H.P.
007 = ¾ H.P.	020 = 2 H.P.	040 = 4 H.P.	090 = 9 H.P.	200 = 20 H.P.	300 = 30 H.P.
010 = 1 H.P.	025 = 2½ H.P.	050 = 5 H.P.	100 = 10 H.P.	220 = 22 H.P.	350 = 35 H.P.
015 = 1½ H.P.	028 = 3 H.P.	060 = 6 H.P.	120 = 12 H.P.	250 = 25 H.P.	400 = 40 H.P.

BTU/HR RATING EXPLANATION (NOTE: APPLIES TO M-SERIES ONLY)

Room temp H = Nominal BTUH capacity @ +30° suction, 90° ambient (1000 multiplier)
 Room temp M = Nominal BTUH capacity @ +20° suction, 90° ambient (1000 multiplier)
 Room temp L = Nominal BTUH capacity @ -20° suction, 90° ambient (1000 multiplier)

EQUIPMENT VARIATION EXPLANATION

0 = Standard	W = Water Cooled
A = Plasma Units	X = Special Applications
D = Demand Cooling	Y = Special Applications
L = Large Condenser	

VOLTAGE EXPLANATION

A = 115/60/1	F = 200-220/50/3
B = 230/60/1 or 208-230/60/1 (As Applicable)	G = 380-420/50/3
C = 208-230/60/3	H = 208/60/1
D = 460/60/1	J = 380/50/1
E = 460/60/3	K = 200-220/50/1 or 220/50/1

OPTIONS EXPLANATION (NOTE: APPLIES TO B-SERIES ONLY)

C = Coated Condenser Coil
 D = Coated Condenser Coil, Heated And Insulated Receiver
 L = Large Condenser

PRE-INSTALLATION INSTRUCTIONS

I. General Information

Please read this manual prior to installing your refrigeration equipment. This information is based on good refrigeration practice and should be used as a guide for installation and operation.

To complete the installation, please record the data requested on the Installation Data form on page 41 of the manual and return this manual to the owner.

II. Delivery Inspection

You are responsible for filing all freight claims with the delivering truck line. Inspect all cartons and crates for damage as soon as they arrive. If damage is noted to shipping crates or cartons or if a shortage is found, note this on the bill of lading (all copies) prior to signing.

If damage is discovered when the cabinet is uncrated, immediately call the delivering truck line and follow up the call with a written report indicating concealed damage to your shipment. Ask for an immediate inspection of your concealed damage item. Crating material **MUST** be retained to show the inspector from the truck line.

INSTALLATION INSTRUCTIONS

I. Handling and Placement of Condensing Unit

To minimize damage to the unit housing, it is recommended that the crate not be removed until the unit is moved to its final location.

The following should be considered when placing the unit:

- A. The condenser coil (air inlet) should not be located so as to restrict air flow into the coil. A minimum of 12" is required (18" is preferred) between the face of the coil and a wall or other vertical obstruction.
- B. A minimum of 6" is required on the sides to allow access to the housing clamps.
- C. A minimum of 24" is required on the louvered end (air outlet) for clearance when opening housing and for ease of maintenance.
- D. Do not position multiple units so that the air discharge of one is into the condenser air intake of another.

Holes are provided in the base supports for mounting bolts and for bridle lift rods.

For indoor mounting, motor rooms should be provided with fans designed to move 1000 cfm of air per ton of refrigeration.

II. Handling and Placement of Evaporator Coil in Walk-In

To minimize damage to the evaporator coil, it is recommended that the carton (or crate) not be removed until the evaporator coil is moved close to its final location. When the container is removed from the evaporator coil, extreme care must be used when lifting and mounting to the ceiling, to prevent sheet metal damage. Consult evaporator "Operating and Installation Instructions" for proper installation details.



DANGER

Installation of the refrigeration and electrical components must be performed only by a refrigeration mechanic or licensed electrician.
Improper or faulty hook-up of electrical components can result in death.

III. Electrical

Electric power supply must match the condensing unit power requirements indicated on the unit data plate. **A WIRING DIAGRAM IS LOCATED ON THE INSIDE OF THE ELECTRICAL BOX COVER.** All field wiring may enter the holes provided in left side, back and bottom of the electrical box. All field wiring should be done in a professional manner, in accordance with all governing codes. Double check all wiring connections, including factory terminals, before start-up of condensing unit.

IV. Refrigerant Piping

The condensing unit must remain sealed and pressurized from the manufacturer until piping is complete and final connections are ready to be made.

Use only refrigeration grade copper tubing, (ACR), type "L", bright annealed, dehydrated, and properly sealed against contamination. Soft temper tubing may not be used for field interconnection of refrigeration components (condensing unit to evaporator assembly). Take extreme care to keep refrigeration tubing clean and dry prior to installation. Use an appropriate size tube cutter (DO NOT CUT TUBING WITH A SAW).

Refrigerant lines must be sized as dictated by the charts on pages 14-17.

Suction lines should slope down 1/2 inch for each 10 feet of horizontal run towards the compressor.

If any portion of the suction line rises above the exit elevation of the evaporator, P-type oil traps should be located at the base of each suction riser for proper oil return to the compressor.

When brazing, dry nitrogen MUST be passed through the lines at low pressure to prevent scaling and oxidation inside the tubing and fittings. All flux must be removed from the joints after brazing.

MINIMIZE the amount of flux used to prevent internal contamination of the refrigeration system.

Silver brazing wire is to be utilized (high temperature alloy of 15% silver content on all copper to copper connections, and high temperature alloy of 45% silver content on all dissimilar metal connections).



NOTICE

Be sure solenoid valves are open before beginning evacuation and leak check.

V. Leak Check

When all refrigeration line connections have been made, the complete system, including factory connections, should be leak checked.

Add the proper refrigerant to 60 psig, then boost to 175 psig with dry nitrogen. Leak check all joints with an electronic leak detector or a halide torch. If leaks are found, relieve the pressure and make repairs as necessary and recheck.

VI. Evacuation, Dehydration and Start-Up

A vacuum of 500 microns or less must be pulled to properly dehydrate the system. This requires a two-stage vacuum pump with an electronic vacuum indicator.

DO NOT USE THE SYSTEM COMPRESSOR AS A VACUUM PUMP.

DO NOT OPERATE COMPRESSOR WHILE SYSTEM IS IN A VACUUM.

Evacuation Procedure

- A. Open all condensing unit service valves and relieve system pressure. Also, open any line valves installed in the system and energize all solenoid valves to facilitate evacuation.
- B. Connect the vacuum pump to the high and low sides of the system using 1/4" or larger cop per lines or 1/4" ID hoses with high vacuum designation.
- C. Leaks or moisture will be indicated if the system pressure rises when the vacuum line is closed off.
- D. Pull a vacuum of 1500 microns, close vacuum line and "break" vacuum to 5 psig, maximum, with refrigerant to be used in the system.
- E. Repeat step D.
- F. A final vacuum of 250 microns should be pulled before charging. When 250 microns is reached, close vacuum line and charge through high side, with proper refrigerant to the level of 2-1/2 lbs. per ton of refrigeration.

Finish Charging Procedures

- A. Preliminary
 1. Be sure all service valves are "open".
 2. Loosen the compressor hold-down bolts and remove shipping clips to allow compressor to float freely on the springs.
 3. Check evaporator fan motors after start-up. Medium temperature, air defrost fans run continuously. Low temperature fans and coolers provided with electric defrost will be delayed by the fan control.

4. Start the system by “flipping on” the circuit breaker in the unit electric box.
5. Start charging per (B), (C), (D) or (E) on the following pages.

CAUTION: Never add liquid refrigerant to the suction side of the compressor.

6. Check operating pressures while charging and on initial pulldown to prevent damage if a problem occurs. If system “floods” back to the compressor, adjust the thermostatic expansion valve as required for proper operation. There should be at least +30°F superheat entering the compressor.
7. Observe compressor amperage draw and compare to compressor nameplate to prevent damage due to high amperage. The oil sight glass should be between 1/2 and 3/4 full during normal operation.

B. Remote "M-Series" Condensing Units

1. **For models without head pressure control valve:** With the system operating, add refrigerant until the sight glass indicates a full charge, then add one pound for each 2 rated horsepower of the condensing unit when charging above +75°F. If ambient is below +75°F, add 1/2 to the above. See A.6 above.
2. **For models with head pressure control valve:** Add additional charge per the procedure on page 19.

C. Built-Up Remote "B-Series" Condensing Units

These units are equipped with a head pressure control valve for low ambient operation. This valve will flood the condenser when ambient temperatures are low, requiring additional refrigerant to provide correct operation under various ambient conditions. See attached Charts B and C (pages 19 and 20) for the additional charge data, and finish charging as follows.

1. Add the proper refrigerant for a full sight glass.
2. Add additional charge per the procedure on page 19.



DANGER

Charging of the refrigeration system must be performed only by a certified refrigeration mechanic. Improper or faulty hook-up of refrigeration electrical components can result in injury or death.

Technical installation instructions for Pre-Charged Remote Refrigeration are given on the following pages. Installation requirements for other remote refrigeration systems may vary. If additional information is needed, your certified refrigeration mechanic or electrician can call **888-478-8600**.

Quick-Couples are pre-charged with the proper refrigerant at the factory.

D. Pre-Charged Remote Refrigeration Systems

- Place a steel or treated-wood spreader on the top of the walk-in to distribute the load of the coil. The spreader must be at least twice the width of the coil. The coil must be mounted away from the edge of the roof a distance equal to the height of the coil (See Figure #1)
- Uncrate the coil and through-bolt it to the ceiling of the walk-in with suitable fasteners.

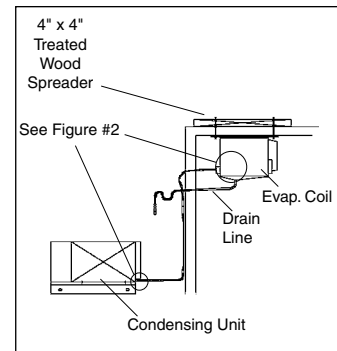


Figure #1 Quick-Couple Remote Refrigeration

- Uncrate the condensing unit and locate near coil. Be sure air movement around the unit is not restricted so the condensing unit will have a sufficient supply of air to function properly.

NOTE: Install evaporator coil in accordance with the manufacturer's recommendations from inside wall or obstructions to rear of evaporator.

- Drill holes through the walk-in wall large enough to pass refrigeration lines, electrical line and drain line.
- Connect liquid and suction lines to the coil and the condensing unit.
- Lubricate rubber seal in male half of coupling with refrigeration oil.

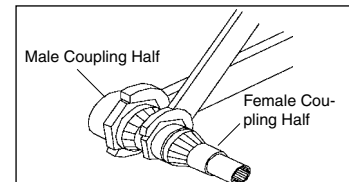


Figure #2 Quick-Couple Coupling Detail

- Thread coupling halves together by hand to ensure proper mating of threads. Tighten with wrenches until coupling bodies “bottom” or a definite resistance is felt. (See Figure #2.)
- Using a scribe or ink pen, mark a line lengthwise from the coupling hex to the bulkhead. Then tighten an additional 1/6 to 1/4 turn. The misalignment of the mark will show the degree of tightening for future reference. This final turn is necessary to ensure that the knife edge metal seal bites into the brass seat of the coupling halves, forming a leak-proof joint.
- When routing refrigeration lines, special care should be taken not to “kink” the lines and restrict the flow of refrigerant.

NOTE: Wiring diagrams are located inside the pre-wired electrical panel on the condensing unit.



CAUTION

Be sure the electrical supply is sufficient for all electrical loads of the Quick-Couple Remote Refrigeration system.

- Connect correctly rated overcurrent protection device in the service line to the service line J-box on the condensing unit.
- After routing condensate line from drain pan of evaporator coil, seal around all refrigeration, electrical and drain lines with silicone or butyl caulking.
- Start compressor and allow to run at least 24 hours before placing product into the walk-in.

During the testing period you should:

- Check the temperature holding range against the control setting.
- On low temperature units, check the defrost control system to see that all ice is removed from the coil during each defrost cycle.
- Perform checks of door operation and all other component operations.

These particular systems are pre-charged at the factory with proper refrigerant, but should be operationally checked as per page 11, A.6 and A.7.

VII. Final Check List for All Models

- A. Check high-low pressure control settings.
- B. Check setting of defrost timer:
 1. Medium temperature 2 to 4 defrost/24 hours, with 35 minutes fail safe.
 2. Low temperature 3 to 4 defrost/24 hours, with 44 minutes fail safe.
- C. Check operating pressure.
- D. Check electrical requirements of unit to power supply voltage.
- E. Set temperature control for desired temperature range.
- F. Check setting of thermostatic expansion valve for proper operation.
- G. Check sight glass for proper refrigerant charge.
- H. Check compressor oil level.
- I. Check system for proper defrost settings and operation.
- J. Check condensing unit for vibrating or rubbing tubing. Dampen or clamp as required.
- K. Open all valves completely counter clockwise.
- L. Check packing nuts on all service valves.
- M. Replace all service valve caps and latch unit covers.

R-404A SUCTION AND LIQUID LINE SIZES

System Capacity BTU/Hr.	40°F Suction Temperature						20°F Suction Temperature						10°F Suction Temperature						ALL Liquid Line		
	50' Suction Line		100' Suction Line		200' Suction Line		50' Suction Line		100' Suction Line		200' Suction Line		50' Suction Line		100' Suction Line		200' Suction Line				
	Horiz.	Vert.	Horiz.	Vert.	Horiz.	Vert.	Horiz.	Vert.	Horiz.	Vert.	Horiz.	Vert.	Horiz.	Vert.	Horiz.	Vert.	Horiz.	Vert.			
1500	5/16	5/16	3/8	5/16	3/8	5/16	3/8	5/16	3/8	5/16	1/2	5/16	3/8	5/16	1/2	5/16	3/8	5/16	1/2	5/16	1/4
2000	3/8	5/16	3/8	5/16	3/8	5/16	3/8	5/16	3/8	5/16	1/2	5/16	3/8	5/16	1/2	5/16	3/8	5/16	1/2	3/8	1/4
3000	3/8	5/16	1/2	5/16	1/2	5/16	1/2	3/8	1/2	3/8	5/8	3/8	1/2	3/8	5/8	3/8	1/2	3/8	5/8	3/8	5/16
4000	3/8	5/16	1/2	5/16	1/2	5/16	1/2	3/8	1/2	3/8	5/8	3/8	1/2	3/8	5/8	3/8	1/2	3/8	5/8	3/8	5/16
5000	3/8	3/8	1/2	3/8	1/2	3/8	1/2	3/8	1/2	3/8	5/8	3/8	1/2	3/8	5/8	1/2	5/8	1/2	3/4	1/2	3/8
6000	1/2	3/8	1/2	3/8	1/2	3/8	1/2	3/8	1/2	3/8	5/8	1/2	5/8	1/2	5/8	1/2	5/8	1/2	3/4	1/2	3/8
7000	1/2	3/8	5/8	3/8	5/8	3/8	5/8	1/2	5/8	1/2	3/4	1/2	5/8	1/2	3/4	1/2	5/8	1/2	3/4	1/2	3/8
8000	5/8	3/8	5/8	3/8	5/8	3/8	5/8	1/2	5/8	1/2	3/4	1/2	5/8	1/2	3/4	1/2	5/8	1/2	3/4	1/2	3/8
9000	5/8	1/2	5/8	1/2	3/4	1/2	3/4	1/2	5/8	1/2	3/4	1/2	3/4	1/2	3/4	1/2	5/8	1/2	3/4	1/2	3/8
10,000	5/8	1/2	5/8	1/2	3/4	1/2	3/4	1/2	5/8	1/2	3/4	1/2	3/4	1/2	3/4	1/2	5/8	1/2	3/4	1/2	3/8
12,000	5/8	1/2	5/8	1/2	3/4	1/2	3/4	1/2	3/4	1/2	3/4	1/2	3/4	1/2	3/4	1/2	5/8	1/2	3/4	1/2	3/8
14,000	5/8	5/8	3/4	5/8	3/4	5/8	3/4	5/8	3/4	5/8	3/4	5/8	3/4	5/8	3/4	5/8	3/4	5/8	3/4	5/8	3/4
16,000	5/8	5/8	3/4	5/8	3/4	5/8	3/4	5/8	3/4	5/8	3/4	5/8	3/4	5/8	3/4	5/8	3/4	5/8	3/4	5/8	3/4
18,000	5/8	5/8	3/4	5/8	3/4	5/8	3/4	5/8	3/4	5/8	3/4	5/8	3/4	5/8	3/4	5/8	3/4	5/8	3/4	5/8	3/4
20,000	3/4	5/8	3/4	5/8	3/4	5/8	3/4	5/8	3/4	5/8	3/4	5/8	3/4	5/8	3/4	5/8	3/4	5/8	3/4	5/8	3/4
25,000	3/4	3/4	7/8	3/4	1 1/8	3/4	1 1/8	3/4	1 1/8	3/4	1 1/8	3/4	1 1/8	3/4	1 1/8	3/4	1 1/8	3/4	1 1/8	3/4	1 1/8
30,000	3/4	7/8	7/8	7/8	1 1/8	7/8	1 1/8	7/8	1 1/8	7/8	1 1/8	7/8	1 1/8	7/8	1 1/8	7/8	1 1/8	7/8	1 1/8	7/8	1 1/8
35,000	7/8	7/8	1 1/8	7/8	1 1/8	7/8	1 1/8	1 1/8	1 1/8	1 1/8	1 1/8	1 1/8	1 1/8	1 1/8	1 1/8	1 1/8	1 1/8	1 1/8	1 1/8	1 1/8	1 1/8
40,000	7/8	7/8	1 1/8	7/8	1 1/8	7/8	1 1/8	1 1/8	1 1/8	1 1/8	1 1/8	1 1/8	1 1/8	1 1/8	1 1/8	1 1/8	1 1/8	1 1/8	1 1/8	1 1/8	1 1/8
45,000	1 1/8	7/8	1 1/8	7/8	1 1/8	7/8	1 1/8	1 1/8	1 1/8	1 1/8	1 1/8	1 1/8	1 1/8	1 1/8	1 1/8	1 1/8	1 1/8	1 1/8	1 1/8	1 1/8	1 1/8
50,000	1 1/8	1 1/8	1 1/8	1 1/8	1 1/8	1 1/8	1 1/8	1 1/8	1 1/8	1 1/8	1 1/8	1 1/8	1 1/8	1 1/8	1 1/8	1 1/8	1 1/8	1 1/8	1 1/8	1 1/8	1 1/8
60,000	1 1/8	1 1/8	1 1/8	1 1/8	1 1/8	1 1/8	1 1/8	1 1/8	1 1/8	1 1/8	1 1/8	1 1/8	1 1/8	1 1/8	1 1/8	1 1/8	1 1/8	1 1/8	1 1/8	1 1/8	1 1/8
70,000	1 1/8	1 1/8	1 1/8	1 1/8	1 1/8	1 1/8	1 1/8	1 1/8	1 1/8	1 1/8	1 1/8	1 1/8	1 1/8	1 1/8	1 1/8	1 1/8	1 1/8	1 1/8	1 1/8	1 1/8	1 1/8
80,000	1 1/8	1 3/8	1 3/8	1 3/8	1 3/8	1 3/8	1 3/8	1 3/8	1 3/8	1 3/8	1 3/8	1 3/8	1 3/8	1 3/8	1 3/8	1 3/8	1 3/8	1 3/8	1 3/8	1 3/8	1 3/8
90,000	1 3/8	1 3/8	1 3/8	1 3/8	1 3/8	1 3/8	1 3/8	1 3/8	1 3/8	1 3/8	1 3/8	1 3/8	1 3/8	1 3/8	1 3/8	1 3/8	1 3/8	1 3/8	1 3/8	1 3/8	1 3/8
100,000	1 3/8	1 3/8	1 3/8	1 3/8	1 3/8	1 3/8	1 3/8	1 3/8	1 3/8	1 3/8	1 3/8	1 3/8	1 3/8	1 3/8	1 3/8	1 3/8	1 3/8	1 3/8	1 3/8	1 3/8	1 3/8
110,000	1 3/8	1 3/8	1 3/8	1 3/8	1 3/8	1 3/8	1 3/8	1 3/8	1 3/8	1 3/8	1 3/8	1 3/8	1 3/8	1 3/8	1 3/8	1 3/8	1 3/8	1 3/8	1 3/8	1 3/8	1 3/8
120,000	1 3/8	1 3/8	1 3/8	1 3/8	1 3/8	1 3/8	1 3/8	1 3/8	1 3/8	1 3/8	1 3/8	1 3/8	1 3/8	1 3/8	1 3/8	1 3/8	1 3/8	1 3/8	1 3/8	1 3/8	1 3/8
130,000	1 3/8	1 3/8	1 3/8	1 3/8	1 3/8	1 3/8	1 3/8	1 3/8	1 3/8	1 3/8	1 3/8	1 3/8	1 3/8	1 3/8	1 3/8	1 3/8	1 3/8	1 3/8	1 3/8	1 3/8	1 3/8
140,000	1 3/8	1 3/8	1 3/8	1 3/8	1 3/8	1 3/8	1 3/8	1 3/8	1 3/8	1 3/8	1 3/8	1 3/8	1 3/8	1 3/8	1 3/8	1 3/8	1 3/8	1 3/8	1 3/8	1 3/8	1 3/8
150,000	1 3/8	1 3/8	1 3/8	1 3/8	1 3/8	1 3/8	1 3/8	1 3/8	1 3/8	1 3/8	1 3/8	1 3/8	1 3/8	1 3/8	1 3/8	1 3/8	1 3/8	1 3/8	1 3/8	1 3/8	1 3/8
160,000	1 3/8	1 3/8	1 3/8	1 3/8	1 3/8	1 3/8	1 3/8	1 3/8	1 3/8	1 3/8	1 3/8	1 3/8	1 3/8	1 3/8	1 3/8	1 3/8	1 3/8	1 3/8	1 3/8	1 3/8	1 3/8

NOTE: Sizes specified are for Type "L" copper tubing.

R-22 SUCTION AND LIQUID LINE SIZES

System Capacity BTU/Hr.	50°F Suction Temperature						40°F Suction Temperature						20°F Suction Temperature						10°F Suction Temperature						ALL Liquid Line	
	100' Suction Line		200' Suction Line		50' Suction Line		100' Suction Line		200' Suction Line		50' Suction Line		100' Suction Line		200' Suction Line		50' Suction Line		100' Suction Line		200' Suction Line					
	Horiz.	Vert.	Horiz.	Vert.	Horiz.	Vert.	Horiz.	Vert.	Horiz.	Vert.	Horiz.	Vert.	Horiz.	Vert.	Horiz.	Vert.	Horiz.	Vert.	Horiz.	Vert.	Horiz.	Vert.				
1500	5/16	5/16	5/16	5/16	5/16	5/16	5/16	5/16	5/16	5/16	5/16	5/16	5/16	5/16	5/16	5/16	5/16	3/8	5/16	3/8	5/16	3/8	5/16	1/4		
2000	5/16	5/16	5/16	5/16	5/16	5/16	5/16	3/8	5/16	3/8	5/16	3/8	5/16	3/8	5/16	3/8	5/16	3/8	1/2	3/8	1/2	3/8	1/2	3/8	1/4	
3000	3/8	5/16	3/8	5/16	3/8	5/16	3/8	5/16	3/8	5/16	3/8	5/16	3/8	5/16	3/8	5/16	3/8	1/2	3/8	1/2	3/8	5/8	3/8	1/4		
4000	3/8	5/16	3/8	5/16	3/8	5/16	3/8	5/16	3/8	5/16	3/8	5/16	3/8	5/16	3/8	5/16	3/8	1/2	3/8	1/2	3/8	5/8	3/8	1/4		
5000	3/8	3/8	3/8	3/8	1/2	3/8	1/2	3/8	1/2	3/8	1/2	3/8	1/2	3/8	1/2	3/8	1/2	3/8	5/8	3/8	5/8	3/8	3/8	1/4		
6000	3/8	3/8	1/2	3/8	1/2	3/8	1/2	3/8	1/2	3/8	1/2	3/8	1/2	3/8	1/2	3/8	1/2	3/8	5/8	1/2	5/8	1/2	3/4	1/2	5/16	
7000	1/2	3/8	1/2	3/8	1/2	3/8	1/2	3/8	1/2	3/8	1/2	3/8	1/2	3/8	1/2	3/8	1/2	3/8	1/2	5/8	1/2	5/8	1/2	3/4	1/2	5/16
8000	1/2	3/8	1/2	3/8	1/2	3/8	1/2	3/8	5/8	3/8	5/8	3/8	5/8	3/8	5/8	3/8	5/8	1/2	5/8	1/2	3/4	1/2	3/4	1/2	5/16	
9000	1/2	3/8	5/8	3/8	5/8	3/8	1/2	5/8	1/2	5/8	1/2	5/8	1/2	5/8	1/2	5/8	1/2	3/4	5/8	3/4	5/8	3/4	5/8	7/8	5/16	
10,000	1/2	1/2	5/8	1/2	5/8	1/2	5/8	1/2	5/8	1/2	5/8	1/2	5/8	1/2	5/8	1/2	5/8	3/4	5/8	3/4	5/8	3/4	5/8	7/8	5/16	
12,000	5/8	1/2	5/8	1/2	5/8	1/2	5/8	1/2	5/8	1/2	5/8	1/2	5/8	1/2	5/8	1/2	5/8	3/4	5/8	3/4	5/8	3/4	5/8	7/8	3/8	
14,000	5/8	1/2	5/8	1/2	5/8	1/2	5/8	3/4	5/8	3/4	5/8	3/4	5/8	3/4	5/8	3/4	5/8	3/4	5/8	7/8	3/4	5/8	3/4	1/18	3/8	
16,000	5/8	1/2	3/4	1/2	3/4	1/2	3/4	5/8	5/8	3/4	5/8	3/4	5/8	3/4	5/8	3/4	5/8	3/4	5/8	7/8	3/4	5/8	3/4	1/18	3/8	
18,000	5/8	5/8	3/4	5/8	3/4	5/8	3/4	5/8	5/8	3/4	5/8	3/4	5/8	3/4	5/8	3/4	5/8	3/4	5/8	7/8	7/8	7/8	7/8	1/18	7/8	1/2
20,000	5/8	5/8	3/4	5/8	7/8	5/8	3/4	5/8	3/4	5/8	3/4	5/8	3/4	5/8	3/4	5/8	3/4	5/8	7/8	7/8	7/8	7/8	7/8	1/18	7/8	1/2
25,000	3/4	5/8	3/4	5/8	7/8	5/8	3/4	5/8	3/4	5/8	3/4	5/8	3/4	5/8	3/4	5/8	3/4	5/8	7/8	7/8	7/8	7/8	7/8	1/18	7/8	1/2
30,000	3/4	3/4	7/8	3/4	7/8	3/4	3/4	5/8	3/4	5/8	3/4	5/8	3/4	5/8	3/4	5/8	3/4	5/8	7/8	7/8	7/8	7/8	7/8	1/18	1/18	1/2
35,000	3/4	3/4	7/8	3/4	7/8	3/4	3/4	5/8	7/8	3/4	5/8	3/4	5/8	3/4	5/8	3/4	5/8	3/4	5/8	7/8	7/8	7/8	7/8	1/18	1/18	5/8
40,000	7/8	1/18	7/8	1/18	7/8	7/8	7/8	7/8	7/8	7/8	7/8	7/8	7/8	7/8	7/8	7/8	7/8	7/8	7/8	7/8	7/8	7/8	7/8	1/18	1/18	5/8
45,000	7/8	1/18	7/8	1/18	7/8	7/8	7/8	7/8	7/8	7/8	7/8	7/8	7/8	7/8	7/8	7/8	7/8	7/8	7/8	7/8	7/8	7/8	7/8	1/18	1/18	5/8
50,000	7/8	1/18	7/8	1/18	7/8	7/8	7/8	7/8	7/8	7/8	7/8	7/8	7/8	7/8	7/8	7/8	7/8	7/8	7/8	7/8	7/8	7/8	7/8	1/18	1/18	5/8
60,000	1/18	7/8	1/18	7/8	1/18	7/8	1/18	7/8	1/18	7/8	1/18	7/8	1/18	7/8	1/18	7/8	1/18	7/8	1/18	7/8	1/18	7/8	1/18	1/18	1/18	5/8
70,000	1/18	1/18	1/18	1/18	1/18	1/18	1/18	1/18	1/18	1/18	1/18	1/18	1/18	1/18	1/18	1/18	1/18	1/18	1/18	1/18	1/18	1/18	1/18	1/18	1/18	5/8
80,000	1/18	1/18	1/18	1/18	1/18	1/18	1/18	1/18	1/18	1/18	1/18	1/18	1/18	1/18	1/18	1/18	1/18	1/18	1/18	1/18	1/18	1/18	1/18	1/18	1/18	5/8
90,000	1/18	1/18	1/18	1/18	1/18	1/18	1/18	1/18	1/18	1/18	1/18	1/18	1/18	1/18	1/18	1/18	1/18	1/18	1/18	1/18	1/18	1/18	1/18	1/18	1/18	5/8
100,000	1/18	1/18	1/18	1/18	1/18	1/18	1/18	1/18	1/18	1/18	1/18	1/18	1/18	1/18	1/18	1/18	1/18	1/18	1/18	1/18	1/18	1/18	1/18	1/18	1/18	5/8
110,000	1/18	1/18	1/18	1/18	1/18	1/18	1/18	1/18	1/18	1/18	1/18	1/18	1/18	1/18	1/18	1/18	1/18	1/18	1/18	1/18	1/18	1/18	1/18	1/18	1/18	5/8
120,000	1/18	1/18	1/18	1/18	1/18	1/18	1/18	1/18	1/18	1/18	1/18	1/18	1/18	1/18	1/18	1/18	1/18	1/18	1/18	1/18	1/18	1/18	1/18	1/18	1/18	5/8
130,000	1/18	1/18	1/18	1/18	1/18	1/18	1/18	1/18	1/18	1/18	1/18	1/18	1/18	1/18	1/18	1/18	1/18	1/18	1/18	1/18	1/18	1/18	1/18	1/18	1/18	5/8
140,000	1/18	1/18	1/18	1/18	1/18	1/18	1/18	1/18	1/18	1/18	1/18	1/18	1/18	1/18	1/18	1/18	1/18	1/18	1/18	1/18	1/18	1/18	1/18	1/18	1/18	5/8
150,000	1/18	1/18	1/18	1/18	1/18	1/18	1/18	1/18	1/18	1/18	1/18	1/18	1/18	1/18	1/18	1/18	1/18	1/18	1/18	1/18	1/18	1/18	1/18	1/18	1/18	5/8
160,000	1/18	1/18	1/18	1/18	1/18	1/18	1/18	1/18	1/18	1/18	1/18	1/18	1/18	1/18	1/18	1/18	1/18	1/18	1/18	1/18	1/18	1/18	1/18	1/18	1/18	5/8

NOTE: Sizes specified are for Type "L" copper tubing.

R-22 SUCTION AND LIQUID LINE SIZES (CONT.)

System Capacity BTU/Hr.	-15°F Suction Temperature						-25°F Suction Temperature						-35°F Suction Temperature						ALL Liquid Line	
	50' Suction Line		100' Suction Line		200' Suction Line		50' Suction Line		100' Suction Line		200' Suction Line		50' Suction Line		100' Suction Line		200' Suction Line			
	Horiz.	Vert.	Horiz.	Vert.	Horiz.	Vert.	Horiz.	Vert.	Horiz.	Vert.	Horiz.	Vert.	Horiz.	Vert.	Horiz.	Vert.	Horiz.	Vert.		
1500	3/8	3/8	1/2	3/8	1/2	3/8	1/2	3/8	1/2	3/8	1/2	3/8	1/2	3/8	1/2	3/8	1/2	3/8	1/2	1/4
2000	1/2	3/8	1/2	3/8	3/8	5/8	3/8	1/2	3/8	5/8	3/8	1/2	3/8	1/2	3/8	1/2	3/4	1/2	1/2	1/4
3000	1/2	1/2	5/8	1/2	5/8	1/2	5/8	1/2	5/8	1/2	3/4	1/2	5/8	1/2	3/4	5/8	3/4	5/8	5/8	1/4
4000	5/8	1/2	5/8	1/2	3/4	1/2	5/8	5/8	3/4	5/8	3/4	5/8	3/4	5/8	3/4	5/8	7/8	5/8	5/8	1/4
5000	5/8	5/8	3/4	5/8	3/4	5/8	3/4	5/8	3/4	5/8	7/8	5/8	3/4	5/8	3/4	7/8	3/4	7/8	3/4	1/4
6000	5/8	5/8	3/4	5/8	7/8	5/8	3/4	3/4	5/8	3/4	7/8	3/4	3/4	5/8	3/4	7/8	3/4	1 1/8	3/4	5/16
7000	3/4	5/8	3/4	5/8	7/8	5/8	3/4	3/4	5/8	3/4	7/8	3/4	3/4	5/8	3/4	7/8	7/8	1 1/8	7/8	5/16
8000	3/4	3/4	7/8	3/4	7/8	3/4	3/4	3/4	5/8	3/4	7/8	7/8	7/8	7/8	7/8	1 1/8	7/8	1 1/8	7/8	5/16
9000	3/4	3/4	7/8	3/4	1 1/8	3/4	7/8	7/8	7/8	1 1/8	7/8	1 1/8	7/8	7/8	7/8	1 1/8	7/8	1 1/8	7/8	5/16
10,000	3/4	3/4	7/8	7/8	1 1/8	7/8	7/8	7/8	7/8	1 1/8	7/8	1 1/8	7/8	7/8	7/8	1 1/8	7/8	1 1/8	7/8	5/16
12,000	7/8	7/8	1 1/8	7/8	1 1/8	7/8	7/8	7/8	7/8	1 1/8	7/8	1 1/8	7/8	1 1/8	7/8	1 1/8	1 1/8	1 1/8	1 1/8	3/8
14,000	7/8	7/8	1 1/8	7/8	1 1/8	7/8	1 1/8	1 1/8	1 1/8	1 1/8	1 1/8	1 1/8	1 1/8	1 1/8	1 1/8	1 1/8	1 1/8	1 1/8	1 1/8	3/8
16,000	7/8	7/8	1 1/8	7/8	1 1/8	7/8	1 1/8	1 1/8	1 1/8	1 1/8	1 1/8	1 1/8	1 1/8	1 1/8	1 1/8	1 1/8	1 1/8	1 1/8	1 1/8	3/8
18,000	1 1/8	1 1/8	1 1/8	1 1/8	1 1/8	1 1/8	1 1/8	1 1/8	1 1/8	1 1/8	1 1/8	1 1/8	1 1/8	1 1/8	1 1/8	1 1/8	1 1/8	1 1/8	1 1/8	1/2
20,000	1 1/8	1 1/8	1 1/8	1 1/8	1 1/8	1 1/8	1 1/8	1 1/8	1 1/8	1 1/8	1 1/8	1 1/8	1 1/8	1 1/8	1 1/8	1 1/8	1 1/8	1 1/8	1 1/8	1/2
25,000	1 1/8	1 1/8	1 3/8	1 1/8	1 3/8	1 1/8	1 1/8	1 1/8	1 1/8	1 3/8	1 3/8	1 1/8	1 1/8	1 3/8	1 3/8	1 3/8	1 3/8	1 3/8	1 3/8	1/2
30,000	1 1/8	1 1/8	1 3/8	1 3/8	1 5/8	1 3/8	1 3/8	1 3/8	1 3/8	1 3/8	1 3/8	1 3/8	1 3/8	1 5/8	1 5/8	1 5/8	1 5/8	1 5/8	1 5/8	1/2
35,000	1 3/8	1 3/8	1 3/8	1 3/8	1 5/8	1 3/8	1 3/8	1 3/8	1 3/8	1 5/8	1 5/8	1 3/8	1 3/8	1 5/8	1 5/8	1 5/8	1 5/8	1 5/8	1 5/8	1/2
40,000	1 3/8	1 3/8	1 3/8	1 3/8	1 5/8	1 5/8	1 3/8	1 3/8	1 3/8	1 5/8	1 5/8	1 3/8	1 3/8	1 5/8	1 5/8	1 5/8	1 5/8	1 5/8	1 5/8	5/8
45,000	1 3/8	1 3/8	1 5/8	1 5/8	1 5/8	1 5/8	1 3/8	1 3/8	1 3/8	1 5/8	1 5/8	1 3/8	1 3/8	1 5/8	1 5/8	1 5/8	1 5/8	1 5/8	1 5/8	5/8
50,000	1 3/8	1 3/8	1 5/8	1 5/8	2 1/8	1 5/8	1 5/8	1 5/8	1 5/8	1 5/8	1 5/8	1 5/8	1 5/8	1 5/8	1 5/8	1 5/8	1 5/8	1 5/8	1 5/8	5/8
60,000	1 3/8	1 3/8	1 5/8	1 5/8	2 1/8	1 5/8	1 5/8	1 5/8	1 5/8	1 5/8	1 5/8	1 5/8	1 5/8	1 5/8	1 5/8	1 5/8	1 5/8	1 5/8	1 5/8	3/4
70,000	1 5/8	1 5/8	1 5/8	1 5/8	2 1/8	2 1/8	1 5/8	1 5/8	1 5/8	1 5/8	1 5/8	1 5/8	1 5/8	1 5/8	1 5/8	1 5/8	1 5/8	1 5/8	1 5/8	3/4
80,000	1 5/8	1 5/8	2 1/8	2 1/8	2 1/8	2 1/8	2 1/8	2 1/8	2 1/8	2 1/8	2 1/8	2 1/8	2 1/8	2 1/8	2 1/8	2 1/8	2 1/8	2 1/8	2 1/8	3/4
90,000	1 5/8	1 5/8	2 1/8	2 1/8	2 1/8	2 1/8	2 1/8	2 1/8	2 1/8	2 1/8	2 1/8	2 1/8	2 1/8	2 1/8	2 1/8	2 1/8	2 1/8	2 1/8	2 1/8	3/4
100,000	2 1/8	2 1/8	2 1/8	2 1/8	2 1/8	2 1/8	2 1/8	2 1/8	2 1/8	2 1/8	2 1/8	2 1/8	2 1/8	2 1/8	2 1/8	2 1/8	2 1/8	2 1/8	2 1/8	3/4
110,000	2 1/8	2 1/8	2 1/8	2 1/8	2 1/8	2 1/8	2 1/8	2 1/8	2 1/8	2 1/8	2 1/8	2 1/8	2 1/8	2 1/8	2 1/8	2 1/8	2 1/8	2 1/8	2 1/8	7/8
120,000	2 1/8	2 1/8	2 1/8	2 1/8	2 1/8	2 1/8	2 1/8	2 1/8	2 1/8	2 1/8	2 1/8	2 1/8	2 1/8	2 1/8	2 1/8	2 1/8	2 1/8	2 1/8	2 1/8	7/8
130,000	2 1/8	2 1/8	2 1/8	2 1/8	2 1/8	2 1/8	2 1/8	2 1/8	2 1/8	2 1/8	2 1/8	2 1/8	2 1/8	2 1/8	2 1/8	2 1/8	2 1/8	2 1/8	2 1/8	7/8
140,000	2 1/8	2 1/8	2 1/8	2 1/8	2 1/8	2 1/8	2 1/8	2 1/8	2 1/8	2 1/8	2 1/8	2 1/8	2 1/8	2 1/8	2 1/8	2 1/8	2 1/8	2 1/8	2 1/8	7/8
150,000	2 1/8	2 1/8	2 1/8	2 1/8	2 1/8	2 1/8	2 1/8	2 1/8	2 1/8	2 1/8	2 1/8	2 1/8	2 1/8	2 1/8	2 1/8	2 1/8	2 1/8	2 1/8	2 1/8	7/8
160,000	2 1/8	2 1/8	2 1/8	2 1/8	2 1/8	2 1/8	2 1/8	2 1/8	2 1/8	2 1/8	2 1/8	2 1/8	2 1/8	2 1/8	2 1/8	2 1/8	2 1/8	2 1/8	2 1/8	7/8

NOTE: Sizes specified are for Type "L" copper tubing.

EQUIVALENT LENGTH ALLOWANCE FOR FITTINGS EQUIVALENT LENGTH IN FEET

FITTING SIZE	90° Ell	45° Ell	Tee (Line)	Tee (Branch)
1/2"	.9	.4	.8	2.0
5/8"	1.0	.5	1.0	2.5
7/8"	1.5	.7	1.5	3.5
1-1/8"	1.8	.9	1.5	4.5
1-3/8"	2.4	1.2	1.8	6.0
1-5/8"	2.8	1.4	2.0	7.0
2-1/8"	3.9	1.8	3.8	10.0

Chart A

GENERAL:

1. Suction lines should be pitched down in direction of flow, 1/2" per 10 feet of line.
2. Refrigerant lines should be supported and fastened properly to prevent leaks and for professional looking installation. Supports should be every 5 feet for lines to 7/8" OD, 7 feet for 1-1/8" to 1-3/8" OD lines, and 10 feet for 1-5/8" and 2-1/8" OD lines.
3. Where condensation dripping would be objectionable, insulate suction lines, and where the sun could adversely affect performance, insulate both the liquid and suction lines. Insulation thickness of 1/2" will usually be adequate.
4. A "P" trap must be installed at the bottom of the riser in all vertical suction lines rising 4" or more. To insure proper oil return to the condensing unit, the trap should be the same size as the horizontal line and the riser should be sized per the line sizing charts on pages 14-17.

In installations where condensate can accumulate on the vibrasorber, a covering of heat shrink PVC tubing or waterproof tape may be used to prevent freezing under the ferrule, causing a rupture.

LOW AMBIENT OPERATION CHARGE

Some refrigeration units are provided with condenser flooding valves to maintain proper head pressure during the winter. These valves function by reducing the effective condenser area by flooding or “backing up” refrigerant in the condenser to reduce the amount of surface available for condensing. To operate properly, more charge is required during this flooding condition. These flooding valves are standard on “B” models and optional on others.

To use the charts, multiply the number in Chart B by the percent flooding required in Chart C to arrive at the additional charge required after providing a clear sight glass.

Example: Determine the additional charge required to operate a BCHX0750 at +20°F suction if the unit is charged at +50°F.

From Chart B, model BCHX0750 has a condenser internal volume of 26.3 lbs. of refrigerant. From Chart C at +50°F at time of charging and +20°F suction, the condenser would need to be flooded 32%.

Therefore, multiply 26.3 lbs. x 32% = 8.4 lbs. to arrive at the additional charge that must be added after clearing the sight glass for proper winter operation.

CONDENSER VOLUME IN LBS.

Chart B

Unit Model	Lbs. of Charge to Fill (R-22)	Lbs. of Charge to Fill (R-404A)	Unit Model	Lbs. of Charge to Fill (R-22)	Lbs. of Charge to Fill (R-404A)	Unit Model	Lbs. of Charge to Fill (R-22)	Lbs. of Charge to Fill (R-404A)
BCH*0300	8.4	7.1	BHMX0300	8.4		MCHX0060	4.2	
BCH*0500	13.6	13.2	BHMX0400	13.6		MCHX0080	4.2	
BCH*0750	26.3	25.6	BHMX0500	13.6		MCHX0110	4.2	
BCH*1000	38.8	37.8	BSLZ0300		5.3	MCHX0150	7.9	
BCH*1500	38.8	37.8	BSLZ0350		5.3	MCHX0190	7.9	
BCHX0150	5.8		BSLZ0400		7.1	MCHX0300	10.2	
BCHX0200	5.4		BSLZ0500		7.1	MCHX0440	25.0	
BCLZ0150		5.7	BSLZ0600		13.2	MCHX0500	25.0	
BCLZ0170		5.7	BSLZ0750		13.2	MCLZ0020		4.1
BCLZ0200		5.7				MCLZ0030		4.1
BCLZ0250		5.3				MCLZ0050		4.1
BCLZ0280		7.1				MCLZ0070		4.1
BCLZ0300		7.1				MCLZ0100		7.7
BCLZ0400		7.1				MCLZ0140		7.7
BCLZ0600		13.2				MCLZ0170		10.0
BCLZ0750		20.9				MHHX0060	4.2	
BCLZ0900		25.6				MHHX0080	4.2	
BCLZ1000		25.6				MHHX0110	4.2	
BCLZ1500		37.8				MHHX0120	7.9	
BCLZ2200		37.8				MHHX0150	7.9	
BCM*0150	5.8	5.7				MHHX0190	7.9	
BCM*0200	5.4	5.3				MHHX0250	7.9	
BCM*0300	8.4	7.1				MHHX0300	10.2	
BCM*0500	13.6	13.2				MHHX0350	10.2	
BCM*0750	21.4	20.9				MHHX0440	25.0	
BCM*1000	26.3	25.6				MHHX0500	25.0	
BCM*1500	38.8	37.8				MHLZ0020		4.1
BCM*2000	38.8	37.8				MHLZ0030		4.1
BCM*0070	N/A	N/A				MHLZ0050		4.1
BCM*0100	N/A	N/A				MHLZ0070		4.1
BHH*0200	5.4	5.3				MHLZ0090		7.7
BHH*0250	5.4	5.3				MHLZ0120		7.7
BHH*0300	8.4	7.1				MSLZ0070		4.1
BHH*0400	13.6	13.2				MSLZ0100		7.7
BHH*0500	13.6	13.2				MSLZ0150		7.7
BHMX0200	5.4					MSLZ0180		24.3
BHMX0250	5.4					MSLZ0220		24.3

*Unit can be filled with either R-22 or R-404A refrigerant

LOW AMBIENT CHARGE

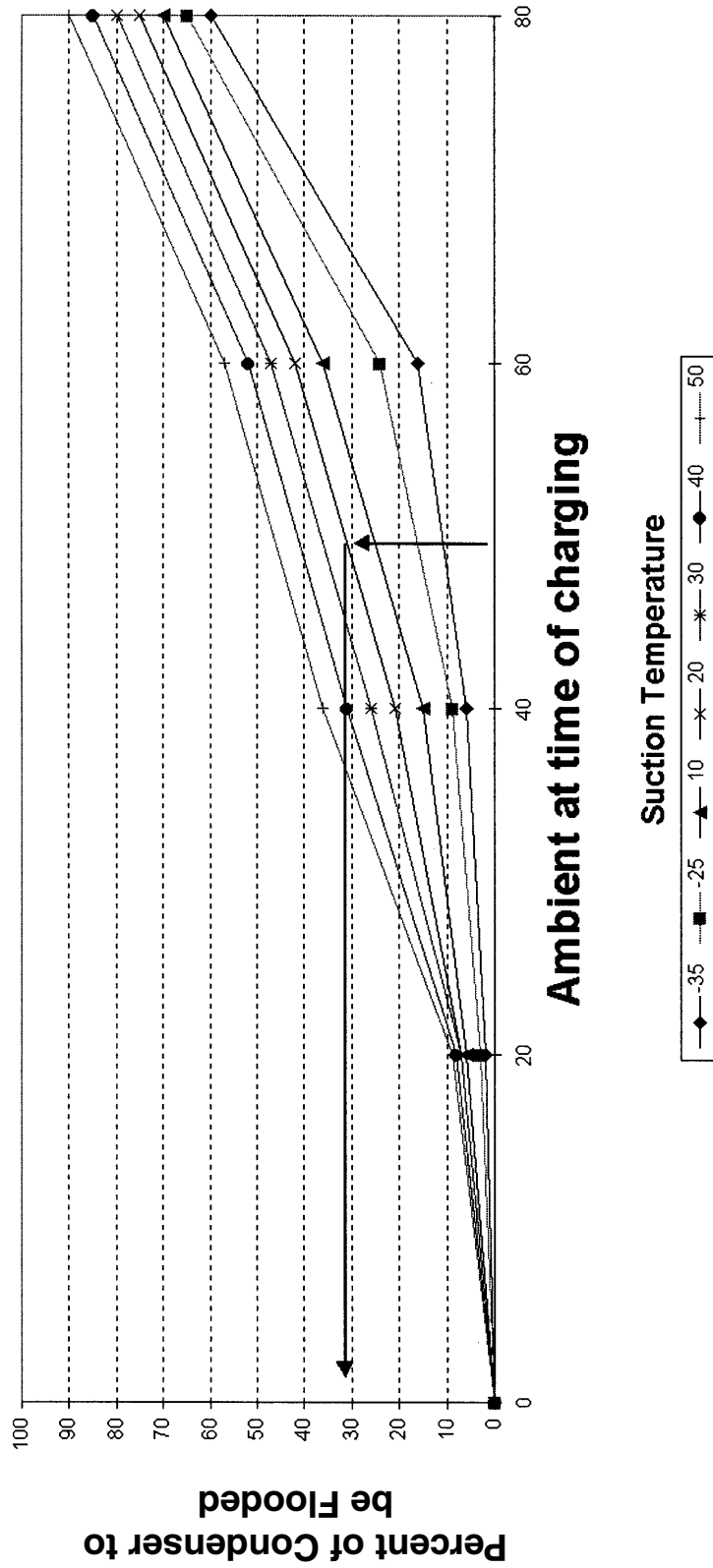


Chart C

CONDENSING UNIT SPECIFICATIONS

Model No.	Cond Unit/Comp Model	Compressor Model	BTU/HR Capacity At Room Temp. With a 10° TD, 90° Ambient		Ref.	Base Size (See pp. 38-41)	HP	Connections		MCA	Voltage
			35	40				Liquid	Suction		
BCHX0050B	E3AH-A050-CAV	HAG2-0050-CAV	4059	4510	R-22	A	.5	3/8	5/8	7	208-230/60/1
BCHX0070B	E3AH-A075-CAV	KAE2-0075-CAV	6084	6760	R-22	A	.75	3/8	5/8	8	208-230/60/1
BCHX0070C	E3AH-A075-TAC	KAN1-0075-TAC	6084	6760	R-22	A	.75	3/8	5/8	6	208-230/60/3
BCHX0100B	E3AH-A100-CAV	KAR2-0100-CAV	8064	8960	R-22	A	1	3/8	5/8	11	208-230/60/1
BCHX0100C	E3AH-A100-TAC	KAR1-0100-TAC	8064	8960	R-22	A	1	3/8	5/8	7	208-230/60/3
BCHX0100E	E3AH-A100-TAD	KAR1-0100-TAD	8064	8960	R-22	A	1	3/8	5/8	5	460/60/3
BCHX0150B	KAGB-0150-CAV	KAGB-0150-CAV	11197	12441	R-22	B	1.5	3/8	5/8	15	208-230/60/1
BCHX0150C	KAGA-0150-TAC	KAGA-0150-TAC	11197	12441	R-22	B	1.5	3/8	5/8	10	208-230/60/3
BCHX015XC	KAGA-0150-TAC	KAGA-0150-TAC	11197	12441	R-22	B	1.5	3/8	5/8	10	208-230/60/3
BCHX015YC	KAGA-0150-TAC	KAGA-0150-TAC	11197	12441	R-22	C	2	1/2	7/8	11	230/60/1
BCHX0200B	ERC2-0200-CAB	ERA2-0200-CAB	15813	17570	R-22	C	2	1/2	7/8	17	230/60/1
BCHX0200C	ERC1-0200-TAC	ERA1-0200-TAC	15813	17570	R-22	C	2	1/2	7/8	12	208-230/60/3
BCHX0200E	ERA1-0200-TAD	ERA1-0200-TAD	15813	17570	R-22	C	2	1/2	7/8	7	460/60/3
BCHX0200G	ERA1-0200-TAD	ERA1-0200-TAD	13178	14642	R-22	C	2	1/2	7/8	7	380/420/50/3
BCHX0300B	ERF2-0310-CAB	ERF2-0310-CAB	26000	28889	R-22	C	3	5/8	1 1/8	25	230/60/1
BCHX0300C	ERF1-0311-TAC	ERF1-0310-TAC	26000	28889	R-22	C	3	5/8	1 1/8	19	208-230/60/3
BCHX0300E	ERF1-0310-TAD	ERF1-0310-TAD	26000	28889	R-22	C	3	5/8	1 1/8	10	460/60/3
BCHX030LC	ERF1-0310-TAC	ERF1-0310-TAC	27019	30021	R-22	C	3	5/8	1 1/8	19	208-230/60/3
BCHX0500C	2DC3-050E-TFC	2DC3-050E-TFC	39576	43973	R-22	C	5	5/8	1 3/8	34	208-230/60/3
BCHX0500E	2DC3-050E-TFD	2DC3-050E-TFD	41437	46041	R-22	C	5	5/8	1 3/8	16	460/60/3
BCHX050LC	2DC3-050E-TFC	2DC3-050E-TFC	42017	46685	R-22	D	5	5/8	1 3/8	34	208-230/60/3
BCHX050XC	2DD3-050E-TFC	2DD3-050E-TFC	51948	57720	R-22	D	5	5/8	1 3/8	34	208-230/60/3
BCHX0750C	2DA3-075E-TFC	2DA3-075E-TFC	70260	78067	R-22	E	7.5	5/8	1 3/8	47	208-230/60/3
BCHX0750E	2DA3-075E-TFD	2DA3-075E-TFD	70260	78067	R-22	E	7.5	5/8	1 3/8	21	460/60/3
BCHX075LC	2DA3-075E-TFC	2DA3-075E-TFC	74515	82794	R-22	F	7.5	7/8	1 3/8	64	208-230/60/3
BCHX075VCC	2DA3-075E-TFC	2DA3-075E-TFC	70260	78067	R-22	E	7.5	5/8	1 3/8	47	208-230/60/3
BCHX075YC	2DA3-075E-TFC	2DA3-075E-TFC	70260	78067	R-22	E	7.5	5/8	1 3/8	47	208-230/60/3
BCHX1000C	3DB3-100E-TFC	3DB3-100E-TFC	102088	113431	R-22	F	10	7/8	1 3/8	64	208-230/60/3
BCHX1000E	3DB3-100E-TFD	3DB3-100E-TFD	102088	113431	R-22	F	10	7/8	1 3/8	30	460/60/3
BCHX1200C	3DF3-1200-TFC	3DF3-1200-TFC	116055	128950	R-22	F	12	7/8	1 3/8	70	208-230/60/3
BCHX1500C	3DS3-150E-TFC	3DS3-150E-TFC	128702	143002	R-22	F	15	7/8	1 5/8	84	208-230/60/3
BCHX1500E	3DS3-150E-TFD	3DS3-150E-TFD	128702	143002	R-22	F	15	7/8	1 5/8	42	460/60/3
BCHX2000C	4DA3-200E-TSK	4DA3-200E-TSK	153092	170102	R-22	P	20	1 3/8	2 1/8	97	208-230/60/3
BCHX2000E	4DA3-200E-TSK	4DA3-200E-TSK	153092	170102	R-22	P	20	1 3/8	2 1/8	56	460/60/3
BCHX2500C	4DH3-2500-TSK	4DH3-2500-TSK	196176	217973	R-22	P	25	1 3/8	2 1/8	118	208-230/60/3
BCHX2500E	4DH3-2500-TSK	4DH3-2500-TSK	196176	217973	R-22	P	25	1 3/8	2 1/8	59	460/60/3
BCHX3000C	4DJ3-3000-TSK	4DJ3-3000-TSK	232187	257985	R-22	R	30	1 3/8	2 1/8	140	208-230/60/3
BCHX3000E	4DJ3-3000-TSK	4DJ3-3000-TSK	232187	257985	R-22	R	30	1 3/8	2 1/8	70	460/60/3
BCHX3500C	6DH3-3500-TSK	6DH3-3500-TSK	275792	306435	R-22	R	35	1 5/8	2 1/8	156	208-230/60/3
BCHX3500E	6DH3-3500-TSK	6DH3-3500-TSK	275792	306435	R-22	R	35	1 5/8	2 1/8	78	460/60/3
BCHX4000C	6DJ3-4000-TSN	6DJ3-4000-TSN	336116	373462	R-22	R	40	1 5/8	2 1/8	200	230/60/3
BCHX4000E	6DJ3-4000-TSN	6DJ3-4000-TSN	336116	373462	R-22	R	40	1 5/8	2 1/8	100	460/60/3

*Deduct 7% for each 10 degree rise over 90°F.

**MCA does not include evaporator amps for room temperature 35°F and above.

CONDENSING UNIT SPECIFICATIONS (cont.)

Model No.	Cond Unit/Comp Model	Compressor Model	BTU/HR Capacity At Room Temp. With a 10° TD, 90° Ambient		Ref.	Base Size (See pp. 38-41)	H.P.	Connections		MCA	Voltage
			35	40				Liquid	Suction		
BCHY0100C	KAJA-011E-TAC	KAJA-011E-TAC	7650	8500	R134a	B	1	3/8	5/8	8	208-230/60/3
BCHY0150C	KALA-016E-TAC	KALA-016E-TAC	10800	12000	R134a	C	1.5	1/2	7/8	13	208-230/60/3
BCHY0150CC	KALA-016E-TAC	KALA-016E-TAC	10800	12000	R134a	C	1.5	1/2	7/8	13	208-230/60/3
BCHY0150E	KALA-016E-TAD	KALA-016E-TAD	9000	10000	R134a	C	1.5	7/8	1 1/8	6	460/60/3
BCHY0150G	KALA-016E-TAD	KALA-016E-TAD	9000	10000	R134a	C	1.5	7/8	1 1/8	6	380-420/50/3
BCHY0200C	EAVA-021E-TAC	EAVA-021E-TAC	16200	18000	R134a	C	2	1/2	7/8	13	208-230/60/3
BCHY0200CC	EAVA-021E-TAC	EAVA-021E-TAC	16200	18000	R134a	C	2	1/2	7/8	13	208-230/60/3
BCHY0300B	2DF3-030E-CFB	2DF3-030E-CFB	32902	36558	R134a	C	3	7/8	1 1/8	36	230/60/1
BCHY0300C	2DF3-030E-TFC	2DF3-030E-TFC	32902	36558	R134a	C	3	7/8	1 1/8	23	208-230/60/3
BCHY0300E	2DF3-030E-TFD	2DF3-030E-TFD	32902	36558	R134a	C	3	7/8	1 1/8	13	460/60/3
BCHY0300G	2DF3-030E-TFD	2DF3-030E-TFD	27419	30465	R134a	C	3	7/8	1 1/8	13	380-420/50/3
BCHY0600C	2DB3-060E-TFC	2DB3-060E-TFC	44543	49492	R134a	C	6	7/8	1 3/8	41	208-230/60/3
BCHY060XC	3DA3-060E-TFC	3DA3-060E-TFC	53212	59124	R134a	D	6	7/8	1 3/8	43	208-230/60/3
BCHY0750C	3DB3-075E-TFC	3DB3-075E-TFC	63039	70043	R134a	E	7.5	1 1/8	1 3/8	46	208-230/60/3
BCHY1000C	3DS3-100E-TFC	3DS3-100E-TFC	102088	113431	R134a	F	10	7/8	1 3/8	64	208-230/60/3
BCHY100XCC	3DS3-100E-TFC	3DS3-100E-TFC	102088	113431	R134a	F	10	7/8	1 3/8	64	208-230/60/3
BCHZ0100C	EJAM-A100-TAC	KARA-010E-TAC	8064	8960	R-404A	A	1	3/8	5/8	7	208-230/60/3
BCHZ0200C	ERCA-021E-TAC	ERCA-021E-TAC	17402	19335	R-404A	C	2	1/2	7/8	15	208-230/60/3
BCHZ0200CC	ERCA-021E-TAC	ERCA-021E-TAC	17402	19335	R-404A	C	2	1/2	7/8	15	208-230/60/3
BCHZ0300C	ERFA-031E-TAC	ERFA-031E-TAC	24604	27338	R-404A	C	3	5/8	1 1/8	19	208-230/60/3
BCHZ0300CC	ERFA-031E-TAC	ERFA-031E-TAC	24604	27338	R-404A	C	3	5/8	1 1/8	19	208-230/60/3
BCHZ0500C	2DC3-050E-TFC	2DC3-050E-TFC	41437	46041	R-404A	C	5	5/8	1 3/8	34	208-230/60/3
BCHZ0500E	2DC3-050E-TFD	2DC3-050E-TFD	41437	46041	R-404A	C	5	5/8	1 3/8	16	460/60/3
BCHZ0750C	2DA3-075E-TFC	2DA3-075E-TFC	70912	78791	R-404A	E	7.5	5/8	1 3/8	47	208-230/60/3
BCHZ0750CC	2DA3-075E-TFC	2DA3-075E-TFC	70912	78791	R-404A	E	7.5	5/8	1 3/8	47	208-230/60/3
BCHZ0750E	2DA3-075E-TFD	2DA3-075E-TFD	70912	78791	R-404A	E	7.5	5/8	1 3/8	21	460/60/3
BCHZ1000C	3DS3-100E-TFC	3DS3-100E-TFC	101031	112257	R-404A	F	10	7/8	1 3/8	64	208-230/60/3
BCHZ1000E	3DB3-100E-TFD	3DB3-100E-TFD	101031	112257	R-404A	F	10	7/8	1 3/8	30	460/60/3
BCHZ1500C	3DS3-150E-TFC	3DS3-150E-TFC	128315	142572	R-404A	F	15	7/8	1 5/8	84	208-230/60/3
BCHZ1500E	3DS3-150E-TFD	3DS3-150E-TFD	128315	142572	R-404A	F	15	7/8	1 5/8	42	460/60/3

*Deduct 7% for each 10 degree rise over 90°F.

**MCA does not include evaporator amps for room temperature 35°F and above.

CONDENSING UNIT SPECIFICATIONS (cont.)

Model No.	Cond Unit/Comp Model	Compressor Model	BTU/HR Capacity At Room Temp. With a 10° TD, 90° Ambient			Ref.	Base Size (See pp. 38-41)	H.P.	Connections		MCA	Voltage
			-20	-10	0				Liquid	Suc- tion		
			BCLX030DC	2DF3-0300-TFC	2DF3-0300-TFC				11750	15865		
BCLX0400G	2DL3-0400-TFD	2DL3-0400-TFD	11200	15530	20580	R-22	C	4	5/8	1 3/8	22	380-420/50/3
BCLX040DC	2DL3-0400-TFC	2DL3-0400-TFC	13440	18636	24696	R-22	C	4	5/8	1 3/8	44	208-230/60/3
BCLX040DG	2DL3-0400-TFD	2DL3-0400-TFD	11200	15530	20580	R-22	C	4	5/8	1 3/8	22	380-420/50/3
BCLX060DC	2DB3-0600-TFC	2DB3-0600-TFC	15998	21912	28600	R-22	C	6	5/8	1 3/8	46	208-230/60/3
BCLX075DC	3DB3-0750-TFC	3DB3-0750-TFC	25581	33767	43526	R-22	D	7.5	7/8	1 3/8	55	208-230/60/3
BCLX075DG	3DB3-0750-TFD	3DB3-0750-TFD	25581	33767	43526	R-22	D	7.5	7/8	1 3/8	38	380/420/50/3
BCLX090DC	3DF3-0900-TFC	3DF3-0900-TFC	30168	40763	53201	R-22	E	9	7/8	1 3/8	68	208-230/60/3
BCLX100DC	3DS3A1000-TFC	3DS3-100E-TFC	32616	43857	56745	R-22	E	10	7/8	1 3/8	71	208-230/60/3
BCLX150DC	4DL3-1500-TSK	4DL3-1500-TSK	46221	61906	79918	R-22	F	15	7/8	1 5/8	90	208-230/60/3
BCLZ0050B	EJAL-A050-CAV	KAN2-0050-CAV	1490	2030	2640	R-404A	A	.5	3/8	5/8	14	208-230/60/1
BCLZ0050C	EJAL-A050-TAC	KAN1-0050-TAC	1490	2030	2640	R-404A	A	.5	3/8	5/8	14	208-230/60/3
BCLZ0070B	EJAL-A075-CAV	KAMB-007E-CAV	2490	3370	4430	R-404A	A	.75	3/8	5/8	13	208-230/60/1
BCLZ0070C	EJAL-A075-TAC	KAMA-007E-TAC	2490	3370	4430	R-404A	A	.75	3/8	5/8	13	208-230/60/3
BCLZ0100B	EJAL-A100-CAV	KAJB-010E-CAV	3310	4400	5630	R-404A	A	1	3/8	5/8	14	208-230/60/1
BCLZ0100C	EJAL-A100-TAC	KAJA-011E-TAC	3310	4400	5630	R-404A	A	1	3/8	5/8	14	208-230/60/3
BCLZ0150B	KALB-015E-CAV	KALB-015E-CAV	5112	6659	8313	R-404A	B	1.5	3/8	7/8	18	208-230/60/1
BCLZ0150C	KALA-016E-TAC	KALA-016E-TAC	5112	6659	8313	R-404A	B	1.5	3/8	7/8	14	208-230/60/3
BCLZ0150CC	KALA-016E-TAC	KALA-016E-TAC	5112	6659	8313	R-404A	B	1.5	3/8	7/8	14	208-230/60/3
BCLZ0150E	KALA-016E-TAD	KALA-016E-TAD	5112	6659	8313	R-404A	C	1.5	3/8	7/8	14	460/60/3
BCLZ015XB	KALB-015E-CAV	KALB-015E-CAV	5112	6659	8313	R-404A	B	1.5	3/8	7/8	18	208-230/60/1
BCLZ0170B	KATB-015E-CAV	KATB-015E-CAV	6043	7857		R-404A	B	1.7	3/8	7/8	18	208-230/60/1
BCLZ0170C	KATA-015E-TAC	KATA-015E-TAC	6043	7857		R-404A	B	1.7	3/8	7/8	14	208-230/60/3
BCLZ017FB	KATB-015E-CAV	KATB-015E-CAV	6043	7857		R-404A	B	1.7	3/8	7/8	18	208-230/60/1
BCLZ0200B	EAVB-021E-CAV	EAVB-021E-CAV	6489	8448	10773	R-404A	B	2	3/8	7/8	26	208-230/60/1
BCLZ0200C	EAVA-021E-TAC	EAVA-021E-TAC	6489	8448	10773	R-404A	B	2	3/8	7/8	20	208-230/60/3
BCLZ0200E	EAVA-021E-TAD	EAVA-021E-TAD	6489	8448	10773	R-404A	C	2	3/8	7/8	14	460/60/3
BCLZ020FB	EAVB-021E-CAV	EAVB-021E-CAV	6489	8448	10773	R-404A	B	2	3/8	7/8	26	208-230/60/1
BCLZ020WC	WJWL-0200-TAC	EWVA-021E-TAC	6550	9150	12300	R-404A	B	2	3/8	7/8	20	208-230/60/3
BCLZ020XC	EAVA-021E-TAC	EAVA-021E-TAC	6489	8448	10773	R-404A	B	2	3/8	7/8	20	208-230/60/3
BCLZ020YC	EAVA-021E-TAC	EAVA-021E-TAC	6489	8448	10773	R-404A	B	2	3/8	7/8	20	208-230/60/3
BCLZ0250B	3ABB-032E-CAB	3ABB-032E-CAB	7430	10472	13767	R-404A	C	2.5	5/8	1 1/8	20	230/60/1
BCLZ0250C	3ABA-031E-TAC	3ABA-031E-TAC	7430	10472	13767	R-404A	C	2.5	5/8	1 1/8	21	208-230/60/3
BCLZ025VCC	3ABA-031E-TAC	3ABA-031E-TAC	7430	10472	13767	R-404A	C	2.5	5/8	1 1/8	21	208-230/60/3
BCLZ0280B	LALB-032E-CAB	LALB-032E-CAB	11560	15529	20084	R-404A	C	3	5/8	1 1/8	32	230/60/1
BCLZ0280C	LALA-032E-TAC	LALA-032E-TAC	11560	15529	20084	R-404A	C	3	5/8	1 1/8	32	208-230/60/3
BCLZ0280E	LALA-032E-TAD	LALA-032E-TAD	11560	15529	20084	R-404A	C	3	5/8	1 1/8	20	460/60/3
BCLZ0280F	LALA-032E-TAC	LALA-032E-TAC	9630	12940	16730	R-404A	C	3	5/8	1 1/8	32	200-220/50/3
BCLZ0280G	LALA-032E-TAD	LALA-032E-TAD	9630	12940	16730	R-404A	C	3	5/8	1 1/8	20	380-400/50/3
BCLZ028UC	LALA-032E-TAC	LALA-032E-TAC	11560	15529	20084	R-404A	C	3	5/8	1 1/8	32	208-230/60/3
BCLZ028UCW	WJWL-0300-TFC	NRD1-0302E-TFC	11200	15120	20400	R-404A	C	3	1/2	1 1/8	32	208-230/60/3
BCLZ028UE	LALA-032E-TAD	LALA-032E-TAD	11560	15529	20084	R-404A	C	3	5/8	1 1/8	20	460/60/3
BCLZ028VCC	LALA-032E-TAC	LALA-032E-TAC	11560	15529	20084	R-404A	C	3	5/8	1 1/8	27	208-230/60/3
BCLZ028XC	LALA-032E-TAC	LALA-032E-TAC	11560	15529	20084	R-404A	C	3	5/8	1 1/8	32	208-230/60/3
BCLZ0300B	2DF3-030E-CFB	2DF3-030E-CFB	14134	18469	23298	R-404A	C	3	5/8	1 3/8	43	230/60/1
BCLZ0300C	2DF3-030E-TFC	2DF3-030E-TFC	14134	18469	23298	R-404A	C	3	5/8	1 3/8	32	208-230/60/3
BCLZ0300E	2DF3-030E-TFD	2DF3-030E-TFD	14134	18469	23298	R-404A	C	3	5/8	1 3/8	20	460/60/3
BCLZ030LC	2DF3-030E-TFC	2DF3-030E-TFC	14491	19672	25100	R-404A	C	3	5/8	1 3/8	32	208-230/60/3
BCLZ030LCC	2DF3-030E-TFC	2DF3-030E-TFC	14491	19672	25100	R-404A	C	3	5/8	1 3/8	34	208-230/60/3
BCLZ030RC	2DF3-030E-TFC	2DF3-030E-TFC	14134	18469	23298	R-404A	C	3	5/8	1 3/8	39	208-230/60/3

*Deduct 7% for each 10 degree rise over 90°F.

**MCA does not include evaporator amps for room temperature 35°F and above.

CONDENSING UNIT SPECIFICATIONS (cont.)

Model No.	Cond Unit/Comp Model	Compressor Model	BTU/HR Capacity At Room Temp. With a 10° TD, 90° Ambient			Ref.	Base Size (See pp. 38-41)	H.P.	Connections		MCA	Voltage
			-20	-10	0				Liquid	Suc- tion		
BCLZ030VCC	2DF3-030E-TFC	2DF3-030E-TFC	14134	18469	23298	R-404A	C	3	5/8	1 3/8	32	208-230/60/3
BCLZ030WC	WJDL-0300-TFC	2DF3-030E-TFC	14500	19900	26400	R-404A	C	3	1/2	1 1/8	31	208-230/60/3
BCLZ030YC	2DF3-030E-TFC	2DF3-030E-TFC	14134	18469	23298	R-404A	C	3	5/8	1 3/8	39	208-230/60/3
BCLZ0400C	2DL3-040E-TFC	2DL3-040E-TFC	16677	21531	26839	R-404A	C	4	5/8	1 3/8	44	208-230/60/3
BCLZ0400E	2DL3-040E-TFD	2DL3-040E-TFD	16677	21531	26839	R-404A	C	4	5/8	1 3/8	22	460/60/3
BCLZ0400G	2DL3-040E-TFD	2DL3-040E-TFD	13897	17942	22365	R-404A	C	4	5/8	1 3/8	22	380-420/50/3
BCLZ040LC	2DL3-040E-TFC	2DL3-040E-TFC	17743	23171	29350	R-404A	C	4	5/8	1 3/8	45	208-230/60/3
BCLZ040XC	2DL3-040E-TFC	2DL3-040E-TFC	16677	21531	26839	R-404A	C	4	5/8	1 3/8	44	208-230/60/3
BCLZ0600C	2DB3-060E-TFC	2DB3-060E-TFC	20522	26466	32837	R-404A	C	6	5/8	1 3/8	46	208-230/60/3
BCLZ0600CC	2DB3-060E-TFC	2DB3-060E-TFC	20522	26466	32837	R-404A	C	6	5/8	1 3/8	46	208-230/60/3
BCLZ0600E	2DB3-060E-TFD	2DB3-060E-TFD	20522	26466	32837	R-404A	C	6	5/8	1 3/8	26	460/60/3
BCLZ0600GC	2DB3-060E-TFD	2DB3-060E-TFD	17100	22050	27360	R-404A	C	6	5/8	1 3/8	26	380-420/50/3
BCLZ060LE	2DB3-060E-TFD	2DB3-060E-TFD	20522	26466	32837	R-404A	D	6	7/8	1 3/8	32	460/60/3
BCLZ060VCC	2DB3-060E-TFC	2DB3-060E-TFC	20522	26466	32837	R-404A	C	6	5/8	1 3/8	46	208-230/60/3
BCLZ0750C	3DB3-075E-TFC	3DB3-075E-TFC	29152	37322	46609	R-404A	D	7.5	7/8	1 3/8	55	208-230/60/3
BCLZ0750E	3DB3-075E-TFD	3DB3-075E-TFD	29152	37322	46609	R-404A	D	7.5	7/8	1 3/8	32	460/60/3
BCLZ075AC	S4N-8.2Y	S4N-8.2Y	28000			R-404A	D	7.5	7/8	1 3/8	54	208-230/60/3
BCLZR75AC	9TH2-101E-TFC-200	9TH2-101E-TFC-200	8260	12700	18100	R-404A	D	7.5	5/8	1 1/8	62	208-230/60/3
BCLZ075LC	3DB3-075E-TFC	3DB3-075E-TFC	29858	38369	48233	R-404A	E	7.5	7/8	1 3/8	56	208-230/60/3
BCLZ075UC	3DB3-075E-TFC	3DB3-075E-TFC	29152	37322	46609	R-404A	D	7.5	7/8	1 3/8	55	208-230/60/3
BCLZ075UE	3DB3-075E-TFD	3DB3-075E-TFD	29152	37322	46609	R-404A	D	7.5	7/8	1 3/8	32	460/60/3
BCLZ0900C	3DF3A090E-TFC	3DF3A090E-TFC	35427	45657	57231	R-404A	E	9	7/8	1 3/8	68	208-230/60/3
BCLZ1000C	3DS3-100E-TFC	3DS3-100E-TFC	39632	50630	62719	R-404A	E	10	7/8	1 3/8	71	208-230/60/3
BCLZ1000E	3DS3-100E-TFD	3DS3-100E-TFD	39632	50630	62719	R-404A	E	10	7/8	1 3/8	37	460/60/3
BCLZ1000G	3DS3-100E-TFD	3DS3-100E-TFD	33026	42191	52265	R-404A	E	10	7/8	1 3/8	37	380-420/50/3
BCLZ100AC	9TH2-101E-TFC	9TH2-101E-TFC	31000			R-404A	E	10	7/8	1 3/8	62	208-230/60/3
BCLZ100LC	3DS3-100E-TFC	3DS3-100E-TFC	41664	53724	67326	R-404A	F	10	7/8	1 5/8	77	208-230/60/3
BCLZ100UC	3DS3-100E-TFC	3DS3-100E-TFC	39632	50630	62719	R-404A	E	10	7/8	1 3/8	71	208-230/60/3
BCLZ100UE	3DS3-100E-TFD	3DS3-100E-TFD	39632	50630	62719	R-404A	E	10	7/8	1 3/8	37	460/60/3
BCLZ122AC	S4G-12.2Y	S4G-12.2Y	43600			R-404A	E	12	7/8	1 3/8	66	208-230/60/3
BCLZ122AE	S4G-12.2Y	S4G-12.2Y	43600			R-404A	E	12	7/8	1 3/8	30	460/60/3
BCLZ1500C	4DL3-150E-TSK	4DL3-150E-TSK	56305	70782	86932	R-404A	F	15	7/8	1 5/8	90	208-230/60/3
BCLZ1500E	4DL3-150E-TSK	4DL3-150E-TSK	56305	70782	86932	R-404A	F	15	7/8	1 5/8	51	460/60/3
BCLZ1500G	4DL3-150E-TSK	4DL3-150E-TSK	46900	58900	72400	R-404A	F	15	7/8	1 5/8	51	380-400/50/3
BCLZ150RE	4DL3-150E-TSK	4DL3-150E-TSK	56305	70782	86932	R-404A	F	15	7/8	1 5/8	51	460/60/3
BCLZ150UC	4DL3-150E-TSK	4DL3-150E-TSK	56305	70782	86932	R-404A	F	15	7/8	1 5/8	90	208-230/60/3
BCLZ150UE	4DL3-150E-TSK	4DL3-150E-TSK	56305	70782	86932	R-404A	F	15	7/8	1 5/8	51	460/60/3
BCLZ160AC	S6J-16.2Y	S6J-16.2Y	65300			R-404A	F	16	7/8	1 5/8	105	208-230/60/3
BCLZ160AE	S6J-16.2Y	S6J-16.2Y	65300			R-404A	F	16	7/8	1 5/8	88	460/60/3
BCLZ2200C	4DT3-220E-TSK	4DT3-220E-TSK	64947	82105	100601	R-404A	F	22	7/8	2 1/8	107	208-230/60/3
BCLZ2200E	4DT3-220E-TSK	4DT3-220E-TSK	64947	82105	100601	R-404A	F	22	7/8	2 1/8	57	460/60/3
BCLZ2200UC	4DT3-220E-TSK	4DT3-220E-TSK	64947	82105	100601	R-404A	F	22	7/8	2 1/8	107	208-230/60/3
BCLZ2200UE	4DT3-220E-TSK	4DT3-220E-TSK	64947	82105	100601	R-404A	F	22	7/8	2 1/8	57	460/60/3
BCLZ220XC	4DT3-220E-TSK	4DT3-220E-TSK	64947	82105	100601	R-404A	F	22	7/8	2 1/8	107	208-230/60/3
BCLZ2700C	6DL3-270E-TSK	6DL3-270E-TSK	83862	108351	135965	R-404A	P	27	1 3/8	2 1/8	136	208-230/60/3
BCLZ2700E	6DL3-270E-TSK	6DL3-270E-TSK	83862	108351	135965	R-404A	P	27	1 3/8	2 1/8	68	460/60/3
BCLZ3000C	6DT3-300E-TSK	6DT3-300E-TSK	92877	119293	148877	R-404A	P	30	1 3/8	2 1/8	154	208-230/60/3
BCLZ3000E	6DT3-300E-TSK	6DT3-300E-TSK	92877	119293	148877	R-404A	P	30	1 3/8	2 1/8	78	460/60/3
BCLZR75AC	9TH2-101E-TFC	9TH2-101E-TFC	31000			R-404A	E	10	7/8	1 3/8	62	208-230/60/3
BCLZR075BC	S4N-8.2Y	S4N-8.2Y	28000			R-404A	D	7.5	7/8	1 3/8	54	208-230/60/3

*Deduct 7% for each 10 degree rise over 90°F.

**MCA does not include evaporator amps for room temperature 35°F and above.

CONDENSING UNIT SPECIFICATIONS (cont.)

Model No.	Cond Unit/Comp Model	Compressor Model	BTU/HR Capacity At Room Temp. With a 10° TD, 90° Ambient	Ref.	Base Size (See pp. 38-41)	H.P.	Connections		MCA	Voltage
			30				Liquid	Suc- tion		
BCMX0070B	E3AM-A075-CAV	KAE2-0075-CAV	6410	R-22	A	.75	3/8	5/8	14	208-230/60/1
BCMX0070C	E3AM-A075-TAC	KAEA-0075-TAC	6410	R-22	A	.75	3/8	5/8	14	208-230/60/3
BCMX0100B	E3AM-A100-CAV	KAM2-0100-CAV	8750	R-22	A	1	3/8	5/8	15	208-230/60/1
BCMX0100C	E3AM-A100-TAC	KAM1-0100-TAC	8750	R-22	A	1	3/8	5/8	15	208-230/60/3
BCMX0150B	KAGB-0150-CAV	KAGB-0150-CAV	9970	R-22	B	1.5	3/8	5/8	20	208-230/60/1
BCMX0150C	KAGA-0150-TAC	KAGA-0150-TAC	9970	R-22	B	1.5	3/8	5/8	20	208-230/60/3
BCMX0150E	KAGA-0150-TAD	KAGA-0150-TAD	9970	R-22	B	1.5	3/8	5/8	13	460/60/3
BCMX0200B	ERC2-0200-CAB	ERC2-0200-CAB	16249	R-22	C	2	1/2	7/8	29	230/60/1
BCMX0200C	ERC1-0200-TAC	ERC1-0200-TAC	16249	R-22	C	2	1/2	7/8	23	208-230/60/3
BCMX020XC	ERC1-0200-TAC	ERC1-0200-TAC	16249	R-22	C	2	1/2	7/8	23	208-230/60/3
BCMX0300B	ERF2-0310-CAB	ERF2-0310-CAB	23658	R-22	C	3	5/8	1 1/8	45	230/60/1
BCMX0300C	ERF1-0310-TAC	ERF1-0310-TAC	23658	R-22	C	3	5/8	1 1/8	45	208-230/60/3
BCMX0300E	ERF1-0310-TAD	ERF1-0310-TAD	23658	R-22	C	3	5/8	1 1/8	20	460/60/3
BCMX030XC	ERF1-0310-TAC	ERF1-0310-TAC	23658	R-22	C	3	5/8	1 1/8	45	208-230/60/3
BCMX0500C	2DC3-050E-TFC	2DC3-050E-TFC	34348	R-22	C	5	5/8	1 3/8	45	208-230/60/3
BCMX0500E	2DC3-050E-TFD	2DC3-050E-TFD	34348	R-22	C	5	5/8	1 3/8	26	460/60/3
BCMX050XC	2DC3-050E-TFC	2DC3-050E-TFC	34348	R-22	C	5	5/8	1 3/8	45	208-230/60/3
BCMX0750C	2DA3-075E-TFC	2DA3-075E-TFC	62115	R-22	D	7.5	5/8	1 3/8	64	208-230/60/3
BCMX0750E	2DA3-075E-TFD	2DA3-075E-TFD	62115	R-22	D	7.5	5/8	1 3/8	32	460/60/3
BCMX075VCC	2DA3-075E-TFC	2DA3-075E-TFC	62115	R-22	D	7.5	5/8	1 3/8	64	208-230/60/3
BCMX1000C	3DB3-100E-TFC	3DB3-100E-TFC	87629	R-22	E	10	7/8	1 3/8	82	208-230/60/3
BCMX1000CC	3DB3-100E-TFC	3DB3-100E-TFC	87629	R-22	E	10	7/8	1 3/8	82	208-230/60/3
BCMX1000E	3DB3-100E-TFD	3DB3-100E-TFD	87629	R-22	E	10	7/8	1 3/8	45	460/60/3
BCMX1200C	3DF3-1200-TFC	3DF3-1200-TFC	106882	R-22	F	12	7/8	1 5/8	88	208-230/60/3
BCMX120XE	3DK3-1200-TFD	3DK3-1200-TFD	119511	R-22	F	12	7/8	1 5/8	61	460/60/3
BCMX120YE	4P-15.2	4P-15.2	119511	R-22	F	12	7/8	1 5/8	61	460/60/3
BCMX1500C	3DS3-150E-TFC	3DS3-150E-TFC	119511	R-22	F	15	7/8	1 5/8	99	208-230/60/3
BCMX1500E	3DS3-150E-TFD	3DS3-150E-TFD	119511	R-22	F	15	7/8	1 5/8	63	460/60/3
BCMX2000C	4DA3-200E-TSK	4DA3-200E-TSK	125632	R-22	F	20	7/8	2 1/8	126	208-230/60/3
BCMX2000E	4DA3-200E-TSK	4DA3-200E-TSK	125632	R-22	F	20	7/8	2 1/8	63	460/60/3
BCMX2500C	4DH3-2500-TSK	4DH3-2500-TSK	170741	R-22	P	25	1 3/8	2 1/8	138	208-230/60/3
BCMX2500E	4DH3-2500-TSK	4DH3-2500-TSK	170741	R-22	P	25	1 3/8	2 1/8	74	460/60/3
BCMX250XC	4DH3-2500-TSK	4DH3-2500-TSK	170741	R-22	P	25	1 3/8	2 1/8	138	208-230/60/3
BCMX3000C	4DJ3-3000-TSK	4DJ3-3000-TSK	201598	R-22	P	30	1 3/8	2 1/8	164	208-230/60/3
BCMX3000E	4DJ3-3000-TSK	4DJ3-3000-TSK	201598	R-22	P	30	1 3/8	2 1/8	82	460/60/3
BCMX3500C	6DH3-3500-TSK	6DH3-3500-TSK	252557	R-22	R	35	1 5/8	2 1/8	186	208-230/60/3
BCMX3500E	6DH3-3500-TSK	6DH3-3500-TSK	252557	R-22	R	35	1 5/8	2 1/8	101	460/60/3
BCMX4000C	6DJ3-4000-TSN	6DJ3-4000-TSN	308134	R-22	R	40	1 5/8	2 1/8	251	230/60/3
BCMX4000E	6DJ3-4000-TSN	6DJ3-4000-TSN	308134	R-22	R	40	1 5/8	2 1/8	126	460/60/3
BCMY0300C	2DF3-030E-TFC	2DF3-030E-TFC	29985	R-134a	C	3	7/8	1 1/8	45	208-230/60/3
BCMY030LBH	2DF3-030E-CFB	2DF3-030E-CFB	39614	R-134a	C	3	5/8	1 3/8	45	230/60/1
BCMY0600C	2DB3-060E-TFC	2DB3-060E-TFC	40349	R-134a	C	6	5/8	1 3/8	51	208-230/60/3
BCMY0750C	3DB3-075E-TFC	3DB3-075E-TFC	54990	R-134a	D	7.5	5/8	1 3/8	64	208-230/60/3
BCMY1000C	3DS3A100E-TFC	3DS3A100E-TFC	71038	R-134a	E	10	7/8	1 3/8	82	208-230/60/3
BCMZ0050B	EJAM-A050-CAV	HAJB-005E-CAV	4010	R-404A	A	.5	3/8	5/8	14	208-230/60/1
BCMZ0100B	EJAM-A100-CAV	KARB-010E-CAV	8750	R-404A	A	1	3/8	5/8	15	208-230/60/1
BCMZ0100C	EJAM-A100-TAC	KARA-010E-TAC	8750	R-404A	A	1	3/8	5/8	15	208-230/60/3
BCMZ0150B	KAKB-021E-CAV	KAKB-021E-CAV	12876	R-404A	B	1.5	3/8	5/8	23	208-230/60/1
BCMZ0150C	KAKA-020E-TAC	KAKA-020E-TAC	12876	R-404A	B	1.5	3/8	5/8	23	208-230/60/3
BCMZ0200C	ERCA-021E-TAC	ERCA-021E-TAC	17611	R-404A	C	2	5/8	7/8	23	208-230/60/3

*Deduct 7% for each 10 degree rise over 90°F.

**MCA does not include evaporator amps for room temperature 35°F and above.

CONDENSING UNIT SPECIFICATIONS (cont.)

Model No.	Cond Unit/Comp Model	Compressor Model	BTU/HR Capacity At Room Temp. With a 10° TD, 90° Ambient	Ref.	Base Size (See pp. 38-41)	H.P.	Connections		MCA	Voltage
			30				Liquid	Suc- tion		
BCMZ0200CC	ERCA-021E-TAC	ERCA-021E-TAC	17611	R-404A	C	2	5/8	7/8	23	208-230/60/3
BCMZ0300B	ERFB-031E-CAB	ERFB-031E-CAB	24892	R-404A	C	3	5/8	1 1/8	45	230/60/1
BCMZ0300C	ERFA-031E-TAC	ERFA-031E-TAC	24892	R-404A	C	3	5/8	1 1/8	45	208-230/60/3
BCMZ0300E	ERFA-031E-TAD	ERFA-031E-TAD	24892	R-404A	C	3	5/8	1 1/8	20	460/60/3
BCMZ0400C	NRB2-040E-TFC	NRB2-040E-TFC	32733	R-404A	C	4	5/8	1 1/8	45	208-230/60/3
BCMZ0500C	2DC3-050E-TFC	2DC3-050E-TFC	38257	R-404A	C	5	5/8	1 3/8	45	208-230/60/3
BCMZ0500E	2DC3-050E-TFD	2DC3-050E-TFD	38257	R-404A	C	5	5/8	1 3/8	21	460/60/3
BCMZ0750C	2DA3-075E-TFC	2DA3-075E-TFC	63130	R-404A	D	7.5	5/8	1 3/8	64	208-230/60/3
BCMZ0750E	2DA3-075E-TFD	2DA3-075E-TFD	63130	R-404A	D	7.5	5/8	1 3/8	32	460/60/3
BCMZ1000C	3DB3-100E-TFC	3DB3-100E-TFC	85998	R-404A	E	10	7/8	1 3/8	82	208-230/60/3
BCMZ1000E	3DB3-100E-TFD	3DB3-100E-TFD	85998	R-404A	E	10	7/8	1 3/8	45	460/60/3
BCMZ1500C	3DS3-150E-TFC	3DS3-150E-TFC	121045	R-404A	F	15	7/8	1 5/8	99	208-230/60/3
BCMZ1500E	3DS3-150E-TFD	3DS3-150E-TFD	121045	R-404A	F	15	7/8	1 5/8	52	460/60/3
BCMZ2000C	4DA3-200E-TSK	4DA3-200E-TSK	124692	R-404A	F	20	7/8	1 5/8	126	208-230/60/3
BCMZ2000E	4DA3-200E-TSK	4DA3-200E-TSK	124692	R-404A	F	20	7/8	1 5/8	63	460/60/3
BCMZ4000E	6DJ3-400E-TSN	6DJ3-400E-TSN	308134	R-404A	R	40	1 5/8	2 1/8	126	460/60/3

*Deduct 7% for each 10 degree rise over 90°F.

**MCA does not include evaporator amps for room temperature 35°F and above.

CONDENSING UNIT SPECIFICATIONS (cont.)

Model No.	Cond Unit/Comp Model	Compressor Model	BTU/HR Capacity At Room Temp. With a 10° TD, 90° Ambient		Ref.	Base Size (See pp. 38-41)	H.P.	Connections		MCA	Voltage
			35	40				Liquid	Suction		
			BHH-030VCC	CR41KQ-TF5				CR41KQ-TF5	26966		
BHH-050VCC	CRN5-0500-TF5	CRN5-0500-TF5	42307	47008	R-22	C	5	5/8	7/8	32	200-230/60/3
BHHX0070B	F3AH-A078-IAV	RS47C2-IAV	6417	7130	R-22	A	.75	3/8	5/8	10	208-230/60/1
BHHX0070K	F3AH-A078-IAZ	RSE4-0076-IAZ	6417	7130	R-22	A	.75	3/8	5/8	11	200-220/50/1
BHHX0100B	F3AM-A105-CFV	RS70C1-PFV	9630	10700	R-22	N	1	3/8	7/8	11	208-230/60/1
BHHX0100C	F3AM-A105-TFC	REK3-0125-TFC	9630	10700	R-22	N	1	3/8	7/8	8	208-230/60/3
BHHX0150B	F3AD-A151-CFV	CR18KQ-PFV	12195	13550	R-22	N	1.5	3/8	7/8	16	208-230/60/1
BHHX0150C	F3AD-A151-TFC	CR18KQ-TF5	12195	13550	R-22	N	1.5	3/8	7/8	10	208-230/60/3
BHHX015LB	CR18KQ-PFV	CR18KQ-PFV	13367	14852	R-22	C	2	3/8	5/8	17	208-230/60/1
BHHX015LC	CR18KQ-TF5	CR18KQ-TF5	13367	14852	R-22	C	1.5	3/8	5/8	10	208-230/60/3
BHHX0200B	CR24KQ-PFV	CR24KQ-PFV	21591	23990	R-22	C	2	3/8	5/8	20	208-230/60/1
BHHX0200C	CR24KQ-TF5	CR24KQ-TF5	21591	23990	R-22	C	2	3/8	5/8	13	200-230/60/3
BHHX0200CC	CR24KQ-PFV	CR24KQ-PFV	21591	23990	R-22	C	2	3/8	5/8	20	200-230/60/3
BHHX020LC	CR24KQ-TF5	CR24KQ-TF5	22131	24590	R-22	C	2	3/8	5/8	13	200-230/60/3
BHHX0250B	CR33KQ-PFV	CR37KQ-PFV	23903	26559	R-22	C	2.5	1/2	7/8	23	208-230/60/1
BHHX0250C	CR33KQ-TF5	CR37KQ-TF5	23903	26559	R-22	C	2.5	1/2	7/8	17	200-230/60/3
BHHX025LB	CR33KQ-PFV	CR37KQ-PFV	24378	27087	R-22	C	2.5	1/2	7/8	23	208-230/60/1
BHHX025LC	CR33KQ-TF5	CR37KQ-TF5	24378	27087	R-22	C	2.5	1/2	7/8	17	200-230/60/3
BHHX025VCC	CR33KQ-PFV	CR37KQ-TF5	23903	26559	R-22	C	2.5	1/2	7/8	23	200-230/60/3
BHHX025XB	CR33KQ-TF5	CR37KQ-PFV	23903	26559	R-22	C	2.5	1/2	7/8	17	208-230/60/1
BHHX0300B	CR41KQ-PFV	CR41KQ-PFV	26966	29962	R-22	C	3	1/2	7/8	28	208-230/60/1
BHHX0300C	CR41KQ-TF5	CR41KQ-TF5	26966	29962	R-22	C	3	1/2	7/8	20	200-230/60/3
BHHX0300E	CR41KQ-TFD	CR41KQ-TFD	26966	29962	R-22	C	3	1/2	7/8	10	460/60/3
BHHX030LC	CR41KQ-TF5	CR41KQ-TF5	28004	31115	R-22	C	3	1/2	7/8	20	200-230/60/3
BHHX030RC	CR41KQ-TF5	CR41KQ-TF5	26966	29962	R-22	C	3	1/2	7/8	20	200-230/60/3
BHHX030VCC	CR41KQ-TF5	CR41KQ-TF5	26966	29962	R-22	C	3	1/2	7/8	20	200-230/60/3
BHHX030XB	CR41KQ-PFV	CR41KQ-PFV	26966	29962	R-22	C	3	1/2	7/8	28	208-230/60/1
BHHX0400B	CR53KQ-PFV	CRM3-0400-PFV	34661	38512	R-22	C	4	5/8	7/8	40	208-230/60/1
BHHX0400C	CR53KQ-TF5	CRM3-0400-TF5	34661	38512	R-22	C	4	5/8	7/8	26	200-230/60/3
BHHX040VCC	CR53KQ-TF5	CRM3-0400-TF5	34661	38512	R-22	C	4	5/8	7/8	26	200-230/60/3
BHHX040XB	CR53KQ-PFV	CRM3-0400-PFV	34661	38512	R-22	C	4	5/8	7/8	40	208-230/60/1
BHHX0500B	CRN5-0500-PFV	CRN5-0500-PFV	42307	47008	R-22	C	5	5/8	7/8	49	208-230/60/1
BHHX0500C	CRN5-0500-TF5	CRN5-0500-TF5	42307	47008	R-22	C	5	5/8	7/8	32	200-230/60/3
BHHX0500CC	CRN5-0500-TF5	CRN5-0500-TF5	42307	47008	R-22	C	5	5/8	7/8	32	200-230/60/3
BHHX0500E	CRN5-0500-TFD	CRN5-0500-TFD	42307	47008	R-22	C	5	5/8	7/8	15	460/60/3
BHHX050LC	CRN5-0500-TF5	CRN5-0500-TF5	46136	51262	R-22	E	5	5/8	7/8	34	200-230/60/3
BHHX050LE	CRN5-0500-TFD	CRN5-0500-TFD	46136	51262	R-22	E	5	5/8	7/8	16	460/60/3
BHHX050RC	CRN5-0500-TF5	CRN5-0500-TF5	42307	47008	R-22	C	5	5/8	7/8	32	200-230/60/3
BHHX050VCC	CRN5-0500-TF5	CRN5-0500-TF5	42307	47008	R-22	C	5	5/8	7/8	32	200-230/60/3
BHHY0050B	FTAM-A059-IAV	RS40C1E-IAV	5139	5710	R134a	A	.5	1/4	1/2	8	208-230/60/1
BHHY0070B	AJA7465YXD	AJA7461YXD	6543	7270	R134a	A	.75	3/8	5/8	10	208-230/60/1
BHHY0100B	FTAHA-100-CAV	RR10K1E-CAV	7002	7780	R-134a	N	1	3/8	5/8	11	208-230/60/1
BHHZ0070B	FJAF-A078-CAV	RS55-C1E-CAV	7395	8217	R-404A	A	.75	3/8	5/8	10	208-230/60/1
BHHZ0100B	FJAM-A125-CFV	RS70-C1E-CAV	9723	10803	R-404A	N	1	3/8	5/8	11	208-230/60/1
BHHZ0100C	FJAM-A125-TFC	RS70-C1E-TFC	9723	10803	R-404A	N	1	3/8	5/8	8	208-230/60/3
BHHZ0150B	FJAM-A150-CFV	CS10K6E-PFV	12976	14418	R-404A	N	1.5	3/8	7/8	16	208-230/60/1
BHHZ0150C	FJAM-A150-TFC	CS10K6E-TF5	12976	14418	R-404A	N	1.5	3/8	7/8	12	208-230/60/3
BHHZ015CB	FJAM-A150-CFV	CS10K6E-PFV	12976	14418	R-404A	N	1.5	3/8	7/8	16	208-230/60/1
BHHZ015UC	FJAM-A150-TFC	CS10K6E-TF5	12976	14418	R-404A	N	1.5	3/8	7/8	12	208-230/60/3
BHHZ015UE	FJAM-A150-TFD	CS10K6E-TFD	12976	14418	R-404A	N	1.5	3/8	7/8	6	460/60/3

*Deduct 7% for each 10 degree rise over 90°F.

**MCA does not include evaporator amps for room temperature 35°F and above.

CONDENSING UNIT SPECIFICATIONS (cont.)

Model No.	Cond Unit/Comp Model	Compressor Model	BTU/HR Capacity At Room Temp. With a 10° TD, 90° Ambient		Ref.	Base Size (See pp. 38-41)	H.P.	Connections		MCA	Voltage
			35	40				Liquid	Suction		
BHHZ0200B	CS12K6E-PFV	CS12K6E-PFV	16488	18320	R-404A	C	2	3/8	5/8	18	208-230/60/1
BHHZ0200C	CS12K6E-TF5	CS12K6E-TF5	16488	18320	R-404A	C	2	3/8	5/8	13	200-230/60/3
BHHZ020FB	CS12K6E-PFV	CS12K6E-PFV	16488	18320	R-404A	C	2	3/8	5/8	18	208-230/60/1
BHHZ0250B	CS14K6E-PFV	CS14K6E-PFV	18060	20067	R-404A	C	2.5	1/2	7/8	19	208-230/60/1
BHHZ0250C	CS14K6E-TF5	CS14K6E-TF5	18060	20067	R-404A	C	2.5	1/2	7/8	15	200-230/60/3
BHHZ0300B	CS20K6E-PFV	CS20K6E-PFV	26396	29329	R-404A	C	3	1/2	7/8	27	208-230/60/1
BHHZ0300C	CS20K6E-TF5	CS20K6E-TF5	26396	29329	R-404A	C	3	1/2	7/8	18	200-230/60/3
BHHZ0400B	CS27K3E-PFV	CS27K3E-PFV	32827	36474	R-404A	C	4	5/8	7/8	34	208-230/60/1
BHHZ0400C	CS27K3E-TF5	CS27K3E-TF5	32827	36474	R-404A	C	4	5/8	7/8	24	200-230/60/3
BHHZ0500B	CS33K3E-PFV	CS33K3E-PFV	37373	41525	R-404A	C	5	5/8	7/8	42	208-230/60/1
BHHZ0500C	CS33K3E-TF5	CS33K3E-TF5	37373	41525	R-404A	C	5	5/8	7/8	30	200-230/60/3
BHHZ050LC	CS33K3E-TF5	CS33K3E-TF5	40010	44455	R-404A	C	5	5/8	7/8	30	200-230/60/3

*Deduct 7% for each 10 degree rise over 90°F.

**MCA does not include evaporator amps for room temperature 35°F and above.

Model No.	Cond Unit/Comp Model	Compressor Model	BTU/HR Capacity At Room Temp. With a 10° TD, 90° Ambient			Ref.	Base Size (See pp. 38-41)	H.P.	Connections		MCA	Voltage
			-20	-10	0				Liquid	Suction		
BHLZ0070B	FJAF-A078-CAV	RS55C1E-CAV		2181	3253	R-404A	A	.75	3/8	5/8	14	208-230/60/1
BHLZ0100B	FJAM-A125-CFV	RS70C1E-CAV		2957	4353	R-404A	N	1	3/8	5/8	14	208-230/60/1
BHLZ0100C	FJAM-A125-TFC	RS70C1E-TFC		2957	4353	R-404A	N	1	3/8	5/8	11	208-230/60/3
BHLZ0150B	FJAM-A150-CFV	CS10K6E-PFV		3549	5247	R-404A	N	1.5	3/8	7/8	19	208-230/60/1
BHLZ0150C	FJAM-A150-TFC	CS10K6E-TF5		3549	5247	R-404A	N	1.5	3/8	7/8	15	208-230/60/3
BHLZ0200B	AVA2510ZXNXC	AVA2510ZXN	5750	7500	9500	R-404A	N	2	3/8	7/8	28	208-230/60/1
BHLZ0200C	AVA2510ZXFXC	AVA2510ZXF	5750	7500	9500	R-404A	N	2	3/8	7/8	20	208-230/60/3

*Deduct 7% for each 10 degree rise over 90°F.

**MCA does not include evaporator amps for room temperature 35°F and above.

CONDENSING UNIT SPECIFICATIONS (cont.)

Model No.	Cond Unit/Comp Model	Compressor Model	BTU/HR Capacity At Room Temp. With a 10° TD, 90° Ambient	Ref.	Base Size (See pp. 38-41)	H.P.	Connections		MCA	Voltage
			30				Liquid	Suc- tion		
BHM-025NC	CRG3-0250-TF5	CRG3-0250-TF5	17907	R-22	C	2.5	1/2	7/8	22	200-230/60/3
BHM-050VCC	CRN5-0500-TF5	CRN5-0500-TF5	38129	R-22	C	5	5/8	7/8	51	200-230/60/3
BHMX0070B	F3AH-A078-IAV	RSE4-0076-IAV	5760	R-22	A	.75	3/8	5/8	15	208-230/60/1
BHMX0100B	F3AM-A105-CFV	REK3-0125-PFV	8540	R-22	N	1	3/8	5/8	15	208-230/60/1
BHMX0100C	F3AM-A105-TFC	REK3-0125-TFC	8540	R-22	N	1	3/8	5/8	15	208-230/60/3
BHMX0150B	F3AD-A151-CFV	CRA1-0150-PFV	10800	R-22	N	1.5	3/8	7/8	24	208-230/60/1
BHMX0150C	F3AD-A151-TFC	CRA1-0150-TFC	10800	R-22	N	1.5	3/8	7/8	20	208-230/60/3
BHMX015LC	CRA1-0150-TFC	CRA1-0150-TFC	11535	R-22	C	1.5	3/8	5/8	20	208-230/60/3
BHMX0200B	CRD1-0200-PFV	CRD1-0200-PFV	14049	R-22	C	2	3/8	5/8	29	208-230/60/1
BHMX0200C	CRD1-0200-TF5	CRD1-0200-TF5	14049	R-22	C	2	3/8	5/8	23	200-230/60/3
BHMX020LB	CRD1-0200-PFV	CRD1-0200-PFV	14417	R-22	C	2	1/2	7/8	28	208-230/60/1
BHMX020NB	CRD1-0200-PFV	CRD1-0200-PFV	14049	R-22	C	2	3/8	5/8	24	208-230/60/1
BHMX020NC	CRD1-0200-TF5	CRD1-0200-TF5	14049	R-22	C	2	3/8	5/8	18	200-230/60/3
BHMX020VCV	CRD1-0200-TF5	CRD1-0200-TF5	14700	R-22	A	2	3/8	5/8	13	200-230/60/3
BHMX020YC	CRD1-0200-TF5	CRD1-0200-TF5	14049	R-22	C	2	5/8	7/8	23	200-230/60/3
BHMX0250B	CRG3-0250-PFV	CRG3-0250-PFV	17907	R-22	C	2.5	1/2	7/8	31	208-230/60/1
BHMX0250C	CRG3-0250-TF5	CRG3-0250-TF5	17907	R-22	C	2.5	1/2	7/8	24	200-230/60/3
BHMX025LB	CRG3-0250-PFV	CRG3-0250-PFV	18766	R-22	C	2.5	1/2	7/8	31	208-230/60/1
BHMX025NB	CRG3-0250-PFV	CRG3-0250-PFV	17907	R-22	C	2.5	1/2	7/8	28	208-230/60/1
BHMX025NC	CRG3-0250-TF5	CRG3-0250-TF5	17907	R-22	C	2.5	1/2	7/8	22	200-230/60/3
BHMX025VCV	CRG3-0250-TF5	CRG3-0250-TF5	17907	R-22	A	2.5	1/2	7/8	23	200-230/60/3
BHMX025XC	CRG3-0250-TF5	CRG3-0250-TF5	17907	R-22	C	2.5	1/2	7/8	22	200-230/60/3
BHMX0300B	CRK3-0325-PFV	CRK3-0325-PFV	23419	R-22	C	3	1/2	7/8	45	208-230/60/1
BHMX0300C	CRK3-0325-TF5	CRK3-0325-TF5	23419	R-22	C	3	1/2	7/8	45	200-230/60/3
BHMX0300CC	CRK3-0325-TF5	CRK3-0325-TF5	23419	R-22	C	3	1/2	7/8	45	200-230/60/3
BHMX0300E	CR41KQ-TFD	CR41KQ-TFD	23419	R-22	C	3	1/2	7/8	10	460/60/3
BHMX030VCC	CRK3-0325-TF5	CRK3-0325-TF5	23419	R-22	C	3	1/2	7/8	39	200-230/60/3
BHMX0400B	CRM3-0400-PFV	CRM3-0400-PFV	30337	R-22	C	4	5/8	7/8	49	208-230/60/1
BHMX0400C	CRM3-0400-TF5	CRM3-0400-TF5	30337	R-22	C	4	5/8	7/8	45	200-230/60/3
BHMX040VCV	CRK3-0325-TF5	CRK3-0325-TF5	23419	R-22	A	4	5/8	7/8	26	200-230/60/3
BHMX0500B	CRN5-0500-PFV	CRN5-0500-PFV	38129	R-22	C	5	5/8	7/8	49	208-230/60/1
BHMX0500C	CRN5-0500-TF5	CRN5-0500-TF5	38129	R-22	C	5	5/8	7/8	45	200-230/60/3
BHMX050VCC	CRN5-0500-TF5	CRN5-0500-TF5	38129	R-22	C	5	5/8	7/8	51	200-230/60/3
BHMX050VCK	CRN5-0500-TF5	CRN5-0500-TF5	41218	R-22	E	5	5/8	7/8	51	200-230/60/3
BHMX050VCV	CRN5-0500-TF5	CRN5-0500-TF5	38129	R-22	A	5	5/8	7/8	50	200-230/60/3
BHMX050WC	F3WD-0501-TFC	CRN5-0500-TF5	38700	R-22	C	5	3/8	1 1/8	50	208-230/60/3
BHMZ0070B	FJAF-A078-CAV	RS55C1E-CAV	6727	R-404A	A	.75	3/8	5/8	15	208-230/60/1
BHMZ0100C	FJAM-A125-TFC	RS70C1E	7880	R-404	N	1	3/8	7/8	15	208-230/60/3

*Deduct 7% for each 10 degree rise over 90°F.

**MCA does not include evaporator amps for room temperature 35°F and above.

CONDENSING UNIT SPECIFICATIONS (cont.)

Model No.	Cond Unit/Comp Model	Compressor Model	BTU/HR Capacity At Room Temp. With a 10° TD, 90° Ambient			Ref.	Base Size (See pp. 38-41)	H.P.	Connections		MCA	Voltage
			30	35	40				Liquid	Suc- tion		
BSHX020VCC	ZB15KCE-TF5	ZB15KCE-TF5		18000	20000	R-22	C	2	5/8	7/8	15	200-230/60/3
BSHX025VCC	ZB19KCE-TF5	ZB19KCE-TF5		20160	22400	R-22	C	2.5	5/8	7/8	16	200-230/60/3
BSHX0300C	ZB21KCE-TF5	ZB21KCE-TF5		26190	29100	R-22	C	3	5/8	7/8	18	200-230/60/3
BSHX030LC	ZB21KCE-TF5	ZB21KCE-TF5		26190	29100	R-22	C	3	5/8	7/8	19	200-230/60/3
BSHX030LCC	ZB21KCE-TF5	ZB21KCE-TF5		26190	29100	R-22	C	3	5/8	7/8	19	200-230/60/3
BSHX030VCC	ZB21KCE-TF5	ZB21KCE-TF5		26190	29100	R-22	C	3	5/8	7/8	18	200-230/60/3
BSHX030VCW	ZB21KCE-TF5	ZB21KCE-TF5		26190	29100	R-22	C	3	5/8	7/8	15	200-230/60/3
BSHX035VCC	ZB26KCE-TF5	ZB26KCE-TF5		30240	33600	R-22	C	3.5	5/8	7/8	23	200-230/60/3
BSHX0500B	ZB38KCE-PFV	ZB38KCE-PFV		41760	46400	R-22	C	5	5/8	7/8	45	208-230/60/1
BSHX0500C	ZB38KCE-TF5	ZB38KCE-TF5		43650	48500	R-22	C	5	5/8	7/8	32	200-230/60/3
BSHX050LCC	ZB38KCE-TF5	ZB38KCE-TF5		43650	48500	R-22	D	5	5/8	7/8	32	200-230/60/3
BSHX050VCC	ZB38KCE-TF5	ZB38KCE-TF5		43650	48500	R-22	C	5	5/8	7/8	30	200-230/60/3
BSHX050VCD	ZB38KCE-TF5	ZB38KCE-TF5		43650	48500	R-22	C	5	5/8	7/8	30	200-230/60/3
BSHX050VCK	ZB38KCE-TF5	ZB38KCE-TF5		43650	48500	R-22	E	5	5/8	7/8	45	200-230/60/3
BSHX050VCW	ZB38KCE-TF5	ZB38KCE-TF5		43650	48500	R-22	C	5	5/8	7/8	25	200-230/60/3
BSHX050VEC	ZB38KCE-TFD	ZB38KCE-TFD		43650	48500	R-22	C	5	5/8	7/8	15	460/60/3
BSHX060LCC	ZB45KCE-TF5	ZB45KCE-TF5		52200	58000	R-22	E	6	7/8	1 1/8	31	200-230/60/3
BSHX060VCC	ZB45KCE-TF5	ZB45KCE-TF5		52200	58000	R-22	D	6	5/8	7/8	32	200-230/60/3
BSHX060VCW	ZB45KCE-TF5	ZB45KCE-TF5		52200	58000	R-22	D	6	5/8	7/8	28	200-230/60/3
BSHX0750C	ZB56KCE-TWC	ZB56KCE-TWC		62100	69000	R-22	E	7.5	7/8	1 1/8	45	208-230/60/3
BSHX0750CW	ZB56KCE-TWC	ZB56KCE-TWC		62100	69000	R-22	D	7.5	7/8	1 1/8	40	208-230/60/3
BSHX075CCC	ZB56KCE-TWC	ZB56KCE-TWC		62100	69000	R-22	E	7.5	7/8	1 1/8	45	208-230/60/3
BSHX075VCC	ZB56KCE-TWC	ZB56KCE-TWC		62100	69000	R-22	E	7.5	7/8	1 1/8	45	208-230/60/3
BSHX1000C	ZB75KCE-TWC	ZB75KCE-TWC		83700	93000	R-22	F	10	7/8	1 1/8	61	208-230/60/3
BSHX100CCC	ZB75KCE-TWC	ZB75KCE-TWC		83700	93000	R-22	F	10	7/8	1 1/8	61	208-230/60/3
BSHX100VCC	ZB75KCE-TWC	ZB75KCE-TWC		83700	93000	R-22	F	10	7/8	1 1/8	61	208-230/60/3
BSHX130VCC	ZB92KCE-TWC	ZB92KCE-TWC		106200	118000	R-22	F	13	7/8	1 1/8	71	208-230/60/3
BSHZ020UC	ZB15KCE-TF5	ZB15KCE-TF5	16300	18150	20000	R-404A	C	2	1/2	7/8	16	200-230/60/3
BSHZ020UE	ZB15KCE-TFD	ZB15KCE-TFD	16300	18150	20000	R-404A	C	2	1/2	7/8	16	460/60/3
BSHZ0250C	ZB19KCE-TF5	ZB19KCE-TF5	20600	22800	25000	R-404A	C	2.5	1/2	7/8	16	200-230/60/3
BSHZ0300C	ZB21KCE-TF5	ZB21KCE-TF5	24500	27150	29800	R-404A	C	3	1/2	7/8	18	200-230/60/3

*Deduct 7% for each 10 degree rise over 90°F.

**MCA does not include evaporator amps for room temperature 35°F and above.

CONDENSING UNIT SPECIFICATIONS (cont.)

Model No.	Cond Unit/Comp Model	Compressor Model	BTU/HR Capacity At Room Temp. With a 10° TD, 90° Ambient			Ref.	Base Size (See pp. 38-41)	H.P.	Connections		MCA	Voltage
			-20	-10	0				Liquid	Suc- tion		
BSLZ0200C	ZF06K4E-TF5	ZF06K4E-TF5	5994	7535	9250	R-404A	B	2	3/8	7/8	17	200-230/60/3
BSLZ028VCC	ZF13K4E-TF5	ZF13K4E-TF5	11758	15047	18615	R-404A	C	3	1/2	7/8	32	200-230/60/3
BSLZ0300B	ZF09K4E-PFV	ZF09K4E-PFV	8590	10734	13175	R-404A	C	3	1/2	7/8	29	208-230/60/1
BSLZ0300C	ZF09K4E-TF5	ZF09K4E-TF5	8590	10734	13175	R-404A	C	3	1/2	7/8	23	200-230/60/3
BSLZ0300E	ZF09K4E-TFD	ZF09K4E-TFD	8590	10734	13175	R-404A	C	3	1/2	7/8	15	460/60/3
BSLZ030VCC	ZF09K4E-TF5	ZF09K4E-TF5	8590	10734	13175	R-404A	C	3	1/2	7/8	23	200-230/60/3
BSLZ030VCW	ZF09K4E-TF5	ZF09K4E-TF5	8590	10734	13175	R-404A	C	3	1/2	7/8	20	200-230/60/3
BSLZ0350B	ZF11K4E-PFV	ZF11K4E-PFV	10369	12873	15673	R-404A	C	3.5	1/2	7/8	35	208-230/60/1
BSLZ0350C	ZF11K4E-TF5	ZF11K4E-TF5	10369	12873	15673	R-404A	C	3.5	1/2	7/8	26	200-230/60/3
BSLZ0350E	ZF11K4E-TFD	ZF11K4E-TFD	10369	12873	15673	R-404A	C	3.5	1/2	7/8	17	460/60/3
BSLZ0400B	ZF13K4E-PFV	ZF13K4E-PFV	11758	15047	18615	R-404A	C	4	1/2	7/8	42	208-230/60/1
BSLZ0400C	ZF13K4E-TF5	ZF13K4E-TF5	11758	15047	18615	R-404A	C	4	1/2	7/8	32	200-230/60/3
BSLZ0400E	ZF13K4E-TFD	ZF13K4E-TFD	11758	15047	18615	R-404A	C	4	1/2	7/8	20	460/60/3
BSLZ040VEC	ZF13K4E-TFD	ZF13K4E-TFD	11758	15047	18615	R-404A	C	4	1/2	7/8	20	460/60/3
BSLZ040CCC	ZF13K4E-TF5	ZF13K4E-TF5	11758	15047	18615	R-404A	C	4	1/2	7/8	32	200-230/60/3
BSLZ040VCC	ZF13K4E-TF5	ZF13K4E-TF5	11758	15047	18615	R-404A	C	4	1/2	7/8	32	200-230/60/3
BSLZ040VCW	ZF13K4E-TF5	ZF13K4E-TF5	11758	15047	18615	R-404A	C	4	1/2	7/8	25	200-230/60/3
BSLZ0500B	ZF15K4E-PFV	ZF15K4E-PFV	14572	18124	22087	R-404A	C	5	1/2	7/8	54	208-230/60/1
BSLZ0500C	ZF15K4E-TF5	ZF15K4E-TF5	14572	18124	22087	R-404A	C	5	1/2	7/8	39	200-230/60/3
BSLZ0500E	ZF15K4E-TFD	ZF15K4E-TFD	14572	18124	22087	R-404A	C	5	1/2	7/8	22	460/60/3
BSLZ050VCC	ZF15K4E-TF5	ZF15K4E-TF5	14572	18124	22087	R-404A	C	5	1/2	7/8	39	200-230/60/3
BSLZ0600C	ZF18K4E-TF5	ZF18K4E-TF5	17375	21651	26380	R-404A	C	6	1/2	7/8	41	200-230/60/3
BSLZ0600E	ZF18K4E-TFD	ZF18K4E-TFD	17375	21651	26380	R-404A	C	6	1/2	7/8	21	460/60/3
BSLZ060VCC	ZF18K4E-TF5	ZF18K4E-TF5	17375	21651	26380	R-404A	C	6	1/2	7/8	41	200-230/60/3
BSLZ0750C	ZF24K4E-TWC	ZF24K4E-TWC	20911	26006	31717	R-404A	C	7.5	1/2	7/8	54	208-230/60/3
BSLZ075VCC	ZF24K4E-TWC	ZF24K4E-TWC	20911	26006	31717	R-404A	C	7.5	1/2	7/8	54	208-230/60/3

*Deduct 7% for each 10 degree rise over 90°F.

**MCA does not include evaporator amps for room temperature 35°F and above.

CONDENSING UNIT SPECIFICATIONS (cont.)

Model	Cond Unit/Comp Model	Compressor Model	BTU/HR Capacity At Room Temp. With a 10° TD, 90° Ambient			Ref.	Base Size (See pp. 38-41)	H.P.	Connections		MCA	Voltage
			30	35	40				Liquid	Suc- tion		
BSMX0200C	ZB15KCE-TF5	ZB15KCE-TF5	16000	18000	20000	R-22	C	2	1/2	7/8	20	200-230/60/3
BSMX020VCN	ZS15K4E-TF5	ZS15K4E-TF5	16000	18000	20000	R-22	C	2	1/2	7/8	20	200-230/60/3
BSMX0250C	ZB19KCE-TF5	ZB19KCE-TF5	18000	20200	22400	R-22	C	2.5	1/2	7/8	21	200-230/60/3
BSMX025VCC	ZB19KCE-TF5	ZB19KCE-TF5	18000	20200	22400	R-22	C	2.5	1/2	7/8	21	200-230/60/3
BSMX025VCN	ZB19KCE-TF5	ZB19KCE-TF5	18000	20200	22400	R-22	C	2.5	1/2	7/8	21	200-230/60/3
BSMX030LCC	ZB21KCE-TF5	ZB21KCE-TF5	23300	26200	29100	R-22	C	3	5/8	7/8	19	200-230/60/3
BSMX030VCC	ZB21KCE-TF5	ZB21KCE-TF5	23300	26200	29100	R-22	C	3	5/8	7/8	26	200-230/60/3
BSMX030VCN	ZB21KCE-TF5	ZB21KCE-TF5	23300	26200	29100	R-22	C	3	5/8	7/8	26	200-230/60/3
BSMX040VCN	ZB30KCE-TF5	ZB30KCE-TF5	31800	35600	39400	R-22	C	4	1/2	7/8	38	200-230/60/3
BSMX040VCW	ZB30KCE-TF5	ZB30KCE-TF5	31800	35600	39400	R-22	C	4	5/8	7/8	38	200-230/60/3
BSMX0500C	ZB38KCE-TF5	ZB38KCE-TF5	39100	43800	48500	R-22	C	5	5/8	7/8	45	200-230/60/3
BSMX050LCC	ZB38KCE-TF5	ZB38KCE-TF5	39100	43800	48500	R-22	D	5	5/8	7/8	45	200-230/60/3
BSMX050VCC	ZB38KCE-TF5	ZB38KCE-TF5	39100	43800	48500	R-22	C	5	5/8	7/8	45	200-230/60/3
BSMX050VCD	ZB38KCE-TF5	ZB38KCE-TF5	39100	43800	48500	R-22	C	5	5/8	7/8	45	200-230/60/3
BSMX050VCK	ZB38KCE-TF5	ZB38KCE-TF5	39100	43800	48500	R-22	E	5	5/8	7/8	45	200-230/60/3
BSMX050VCM	ZB38KCE-TF5	ZB38KCE-TF5	39100	43800	48500	R-22	C	5	5/8	7/8	45	200-230/60/3
BSMX050VCN	ZB38KCE-TF5	ZB38KCE-TF5	39100	43800	48500	R-22	C	5	5/8	7/8	45	200-230/60/3
BSMX050VCW	ZB38KCE-TF5	ZB38KCE-TF5	39100	43800	48500	R-22	C	5	5/8	7/8	45	200-230/60/3
BSMX050VEC	ZS38K4E-TFD-250	ZS38K4E-TFD-250	39100	43800	48500	R-22	C	5	5/8	7/8	20	460/60/3
BSMX0600C	ZB45KCE-TF5	ZB45KCE-TF5	47000	52500	58000	R-22	D	6	5/8	7/8	45	200-230/60/3
BSMX060LCC	ZB45KCE-TF5	ZB45KCE-TF5	47000	52500	58000	R-22	E	6	7/8	1 1/8	45	200-230/60/3
BSMX060VCC	ZB45KCE-TF5	ZB45KCE-TF5	47000	52500	58000	R-22	D	6	5/8	7/8	45	200-230/60/3
BSMX060VCN	ZB45KCE-TF5	ZB45KCE-TF5	47000	52500	58000	R-22	D	6	5/8	7/8	45	200-230/60/3
BSMX060VCW	ZB45KCE-TF5	ZB45KCE-TF5	47000	52500	58000	R-22	D	6	5/8	7/8	45	200-230/60/3
BSMX0750C	ZB56KCE-TWC	ZB56KCE-TWC	56000	62500	69000	R-22	E	7.5	7/8	1 1/8	45	208-230/60/3
BSMX075VCC	ZB56KCE-TWC	ZB56KCE-TWC	56000	62500	69000	R-22	E	7.5	7/8	1 1/8	45	208-230/60/3
BSMX075VCN	ZB56KCE-TWC	ZB56KCE-TWC	56000	62500	69000	R-22	E	7.5	7/8	1 1/8	45	208-230/60/3
BSMX075VCW	ZB56KCE-TWC	ZB56KCE-TWC	56000	62500	69000	R-22	D	7.5	7/8	1 1/8	61	208-230/60/3
BSHX100VCW	ZB75KCE-TWC	ZB75KCE-TWC		83700	93000	R-22	D	10	7/8	1 1/8		208-230/60/3
BSMX100VCW	ZB75KCE-TWC	ZB75KCE-TWC	75000	37500		R-22	D	10	7/8	1 1/8		208-230/60/3

*Deduct 7% for each 10 degree rise over 90°F.

**MCA does not include evaporator amps for room temperature 35°F and above.

CONDENSING UNIT SPECIFICATIONS (cont.)

Model No.	Cond Unit/Comp Model	Compressor Model	BTU/HR Capacity At Room Temp. With a 10° TD, 90° Ambient			Ref.	Base Size (See pp. 38-41)	H.P.	Connections		MCA	Voltage
			30	35	40				Liquid	Suction		
MCHX0061B	HAG2-0050-CAV	HAG2-0050-CAV	3947	4441	4965	R-22	M1	.5	3/8	5/8	13	208-230/60/1
MCHX0081B	KAN2-0075-CAV	KAN2-0075-CAV	5860	6561	7301	R-22	M1	.75	3/8	5/8	13	208-230/60/1
MCHX0081C	KAN1-0075-TAC	KAN1-0075-TAC	5757	6501	7297	R-22	M1	.75	3/8	5/8	13	208-230/60/3
MCHX0111B	KAR2-0100-CAV	KAR2-0100-CAV	8058	8954	9875	R-22	M1	1	3/8	5/8	19	208-230/60/1
MCHX0111C	KAR1-0100-TAC	KAR1-0100-TAC	7828	8676	9556	R-22	M1	1	3/8	5/8	19	208-230/60/3
MCHX0151B	KAGB-0150-CAV	KAGB-0150-CAV	10529	11836	13264	R-22	M2	1.5	3/8	7/8	23	208-230/60/1
MCHX0151C	KAGA-0150-TAC	KAGA-0150-TAC	10753	11989	13325	R-22	M2	1.5	3/8	7/8	19	208-230/60/3
MCHX0191B	ERA2-0200-CAB	ERA2-0200-CAB	13173	15256	17317	R-22	M2	2	1/2	7/8	23	230/60/1
MCHX0191C	ERA1-0200-TAC	ERA1-0200-TAC	13173	15256	17317	R-22	M2	2	1/2	7/8	23	208-230/60/3
MCHX0301B	ERF2-0310-CAB	ERF2-0310-CAB	24490	27290	30343	R-22	M3	3	1/2	7/8	38	230/60/1
MCHX0301C	ERF1-0310-TAC	ERF1-0310-TAC	24455	27094	29985	R-22	M3	3	1/2	7/8	32	208-230/60/3
MCHX0441C	NRB2-0400-TFC	NRB2-0400-TFC	34517	38943	43539	R-22	M5	4	5/8	1-1/8	44	208-230/60/3
MCHX0501C	NRA2-0500-TFC	NRA2-0500-TFC	40155	44944	49973	R-22	M5	5	5/8	1-1/8	44	208-230/60/3
MCHZ0061B	HAJB-005E-CAV	HAJB-005E-CAV	5026	5505	5983	R-404A	M1	.5	3/8	5/8	13	208-230/60/1
MCHZ0071C	KANA-007E-TAC	KANA-007E-TAC	6270	6894	7518	R-404A	M1	.75	3/8	5/8	13	208-230/60/3
MCHZ0081B	KANB-007E-CAV	KANB-007E-CAV	6270	6894	7518	R-404A	M1	.75	3/8	7/8	13	208-230/60/1
MCHZ0111B	KARB-010E-CAV	KARB-010E-CAV	8542	9214	9886	R-404A	M1	1	3/8	7/8	19	208-230/60/1
MCHZ0111C	KARA-010E-TAC	KARA-010E-TAC	8301	9211	10121	R-404A	M1	1	3/8	7/8	19	208-230/60/3
MCHZ0181B	KAKB-021E-CAV	KAKB-021E-CAV	14862	16578	18293	R-404A	M2	2	1/2	1-1/8	23	230/60/1
MCHZ0211C	KAKA-020E-TAC	KAKA-020E-TAC	14461	15865	17268	R-404A	M2	2	1/2	7/8	23	208-230/60/3
MCHZ0221C	ERCA-021E-TAC	ERCA-021E-TAC	18348	20165	21983	R-404A	M2	2	1/2	1-1/8	23	208-230/60/3
MCHZ0251C	ERCA-021E-TAC	ERCA-021E-TAC	18348	20165	21983	R-404A	M2	2	1/2	7/8	23	208-230/60/3
MCHZ0311C	ERFA-031E-TAC	ERFA-031E-TAC	26560	29326	32093	R-404A	M3	3	1/2	7/8	32	208-230/60/3
MCHZ0321B	ERFB-031E-CAB	ERFB-031E-CAB	26101	28803	31506	R-404A	M3	3	5/8	1-1/8	38	230/60/1
MCHZ0321C	ERFA-031E-TAC	ERFA-031E-TAC	26560	29326	32093	R-404A	M3	3	5/8	1-1/8	32	208-230/60/3
MCHZ0461C	NRB2-040E-TFC	NRB2-040E-TFC	36991	41091	45191	R-404A	M5	4	5/8	1-3/8	44	208-230/60/3

*Deduct 7% for each 10 degree rise over 90°F.

**MCA does not include evaporator amps for room temperature 35°F and above.

Model No.	Cond Unit/Comp Model	Compressor Model	BTU/HR Capacity At Room Temp. With a 10° TD, 90° Ambient			Ref.	Base Size (See pp. 38-41)	H.P.	Connections		MCA	Voltage
			-20	-10	0				Liquid	Suction		
MCLZ0021B	KANB-005E-CAV	KANB-005E-CAV	1249	1911	2719	R-404A	M1	.5	3/8	5/8	13	208-230/60/1
MCLZ0031B	KAMB-007E-CAV	KAMB-007E-CAV	2512	3433	4554	R-404A	M1	.75	3/8	7/8	13	208-230/60/1
MCLZ0031C	KAMA-007E-TAC	KAMA-007E-TAC	2285	3186	4262	R-404A	M1	.75	3/8	7/8	13	208-230/60/3
MCLZ0051B	KAJB-010E-CAV	KAJB-010E-CAV	3139	4243	5562	R-404A	M1	1	3/8	7/8	14	208-230/60/1
MCLZ0051C	KAJA-011E-TAC	KAJA-011E-TAC	3050	4186	5533	R-404A	M1	1	3/8	7/8	13	208-230/60/3
MCLZ0071B	KALB-015E-CAV	KALB-015E-CAV	4993	6462	8207	R-404A	M1	1.5	3/8	7/8	17	208-230/60/1
MCLZ0071C	KALA-016E-TAC	KALA-016E-TAC	4933	6408	7973	R-404A	M1	1.5	3/8	7/8	13	208-230/60/3
MCLZ0081B	KATB-015E-CAV	KATB-015E-CAV	5841	7528	9143	R-404A	M1	1.5	3/8	7/8	17	208-230/60/1
MCLZ0081C	KATA-015E-TAC	KATA-015E-TAC	5851	7438	9093	R-404A	M1	1.5	3/8	7/8	13	208-230/60/3
MCLZ0101B	EAVB-021E-CAV	EAVB-021E-CAV	6999	9104	11804	R-404A	M2	2	1/2	7/8	25	208-230/60/1
MCLZ0101C	EAVA-021E-TAC	EAVA-021E-TAC	6169	8755	11678	R-404A	M2	2	1/2	7/8	19	208-230/60/3
MCLZ0111B	3ABB-032E-CAB	3ABB-032E-CAB	7694	10372	13413	R-404A	M2	3	1/2	7/8	25	230/60/1
MCLZ0111C	3ABA-031E-TAC	3ABA-031E-TAC	7364	10343	13556	R-404A	M2	3	1/2	7/8	19	208-230/60/3
MCLZ0141B	LAHB-032E-CAB	LAHB-032E-CAB	9948	13799	18139	R-404A	M3	3	1/2	1-1/8	28	230/60/1
MCLZ0141C	LAHA-032E-TAC	LAHA-032E-TAC	10083	13903	18238	R-404A	M3	3	1/2	1-1/8	26	208-230/60/3
MCLZ0171B	NRD1-040E-CFB	NRD1-040E-CFB	12434	16915	21760	R-404A	M3	4	1/2	1-1/8	44	230/60/1
MCLZ0171C	NRD1-032E-TFC	NRD1-032E-TFC	12822	17291	22136	R-404A	M3	4	1/2	1-1/8	32	208-230/60/3

*Deduct 7% for each 10 degree rise over 90°F.

**MCA does not include evaporator amps for room temperature 35°F and above.

CONDENSING UNIT SPECIFICATIONS (cont.)

Model No.	Cond Unit/Comp Model	Compressor Model	BTU/HR Capacity At Room Temp. With a 10° TD, 90° Ambient				Ref.	Base Size (See pp. 38-41)	H.P.	Connections		MCA	Voltage
			20	30	35	40				Liquid	Suction		
MCMZ0381C	NRB2-040E-TFC	NRB2-040E-TFC	37899				R-404A	M3	4	1/2	1-1/8	44	208-230/60/3
MDHZ0511C	2DC3-050E-TFC	2DC3-050E-TFC	31997	40969	45362	49969	R-404A	M5	5	5/8	1-3/8	44	200-230/60/3

*Deduct 7% for each 10 degree rise over 90°F.

**MCA does not include evaporator amps for room temperature 35°F and above.

Model No.	Cond Unit/Comp Model	Compressor Model	BTU/HR Capacity At Room Temp. With a 10° TD, 90° Ambient			Ref.	Base Size (See pp. 38-41)	H.P.	Connections		MCA	Voltage
			-20	-10	0				Liquid	Suction		
MDLZ0201C	2DF3-030E-TFC	2DF3-030E-TFC	14838	19518	24878	R-404A	M5	3	1/2	1-1/8	38	208-230/60/3
MDLZ0231C	2DL3-040E-TFC	2DL3-040E-TFC	17605	22958	29022	R-404A	M5	4	1/2	1-1/8	42	208-230/60/3
MDLZ0291C	2DB3-060E-TFC	2DB3-060E-TFC	22203	29187	36996	R-404A	M5	6	5/8	1-3/8	47	208-230/60/3
MDLZ0331C	3DA3A060E-TFC	3DA3A060E-TFC	25189	32417	40682	R-404A	M5	6	5/8	1-3/8	50	208-230/60/3

*Deduct 7% for each 10 degree rise over 90°F.

**MCA does not include evaporator amps for room temperature 35°F and above.

CONDENSING UNIT SPECIFICATIONS (cont.)

Model No.	Cond Unit/Comp Model	Compressor Model	BTU/HR Capacity At Room Temp. With a 10° TD, 90° Ambient			Ref.	Base Size (See pp. 38-41)	H.P.	Connections		MCA	Voltage
			30	35	40				Liquid	Suction		
MHHX0061B	ART69C1-IAV	ART69C1-IAV	4826	5383	5996	R-22	M1	.5	3/8	5/8	13	208-230/60/1
MHHX0061TB	ART69C1-IAV	ART69C1-IAV	4826	5383	5996	R-22	M1	.5	3/8	5/8	13	208-230/60/1
MHHX0081B	RS47C2-IAV	RS47C2-IAV	6010	6749	7531	R-22	M1	.75	3/8	5/8	14	208-230/60/1
MHHX0111B	RS70C1-PFV	RS70C1-PFV	8119	9116	10151	R-22	M1	1	3/8	5/8	19	208-230/60/1
MHHX0111C	RS70C1-TFC	RS70C1-TFC	8272	9227	10235	R-22	M1	1	3/8	5/8	19	208-230/60/3
MHHX0151B	CR18KQ-PFV	CR18KQ-PFV	11305	12864	14511	R-22	M2	1.5	3/8	7/8	19	208-230/60/1
MHHX0151C	CR18KQ-TF5	CR18KQ-TF5	11534	13089	14724	R-22	M2	1.5	3/8	7/8	19	208-230/60/3
MHHX0191B	CR24KQ-PFV	CR24KQ-PFV	14052	15941	17934	R-22	M2	2	1/2	7/8	24	208-230/60/1
MHHX0191C	CR24KQ-TF5	CR24KQ-TF5	13756	15671	17706	R-22	M2	2	1/2	7/8	23	200-230/60/3
MHHX0221B	CR28KQ-PFV	CR28KQ-PFV	16081	18189	20387	R-22	M2	2.2	1/2	7/8	29	208-230/60/1
MHHX0221C	CR28KQ-TF5	CR28KQ-TF5	15408	17500	19711	R-22	M2	2.2	1/2	7/8	29	200-230/60/3
MHHX0251B	CR33KQ-PFV	CR33KQ-PFV	18416	20714	23059	R-22	M2	2.5	1/2	7/8	38	208-230/60/1
MHHX0251C	CR33KQ-TF5	CR33KQ-TF5	18521	20714	23059	R-22	M2	2.5	1/2	7/8	23	200-230/60/3
MHHX0301B	CR37KQ-PFV	CR37KQ-PFV	23210	26173	29355	R-22	M3	3	1/2	7/8	38	208-230/60/1
MHHX0301C	CR37KQ-TF5	CR37KQ-TF5	23462	26284	29366	R-22	M3	3	1/2	7/8	32	200-230/60/3
MHHX0351B	CR41KQ-PFV	CR41KQ-PFV	25139	28236	31536	R-22	M3	3.2	1/2	7/8	38	208-230/60/1
MHHX0351C	CR41KQ-TF5	CR41KQ-TF5	25621	28611	31779	R-22	M3	3.2	1/2	7/8	32	200-230/60/3
MHHX0441B	CR53KQ-PFV	CR53KQ-PFV	34192	38416	42928	R-22	M5	4	5/8	1-1/8	45	208-230/60/1
MHHX0441C	CR53KQ-TF5	CR53KQ-TF5	34476	38676	42992	R-22	M5	4	5/8	1-1/8	44	200-230/60/3
MHHX0501B	CRN5-0500-PFV	CRN5-0500-PFV	39307	44171	49290	R-22	M5	5	5/8	1-1/8	52	208-230/60/1
MHHX0501C	CRN5-0500-TF5	CRN5-0500-TF5	40176	44870	49825	R-22	M5	5	5/8	1-1/8	44	200-230/60/3
MHHZ0071B	RS43C2E-CAV	RS43C2E-CAV	5714	6454	7256	R-404A	M1	.5	3/8	5/8	13	208-230/60/1
MHHZ0081B	RS55C2E-CAV	RS55C2E-CAV	6557	7250	8000	R-404A	M1	.75	3/8	7/8	13	208-230/60/1
MHHZ0111B	RS70C1E-PFV	RS70C1E-PFV	8313	9122	10041	R-404A	M1	1	3/8	7/8	19	208-230/60/1
MHHZ0111C	RS70C1E-TFC	RS70C1E-TFC	8109	8955	9829	R-404A	M1	1	3/8	7/8	19	208-230/60/3
MHHZ0171B	CS10K6E-PFV	CS10K6E-PFV	13089	14485	15924	R-404A	M2	1.5	1/2	7/8	21	208-230/60/1
MHHZ0171C	CS10K6E-TF5	CS10K6E-TF5	12911	14326	15671	R-404A	M2	1.5	1/2	7/8	19	200-230/60/3
MHHZ0191B	CS12K6E-PFV	CS12K6E-PFV	14826	16403	18019	R-404A	M2	2	1/2	1-1/8	21	208-230/60/1
MHHZ0191C	CS12K6E-TF5	CS12K6E-TF5	14661	16248	17867	R-404A	M2	2	1/2	1-1/8	19	200-230/60/3
MHHZ0221B	CS14K6E-PFV	CS14K6E-PFV	16726	18310	19842	R-404A	M2	2.5	1/2	1-1/8	23	208-230/60/1
MHHZ0221C	CS14K6E-TF5	CS14K6E-TF5	16491	18085	19696	R-404A	M2	2.5	1/2	1-1/8	23	200-230/60/3
MHHZ0331B	CS20K6E-PFV	CS20K6E-PFV	25832	29007	32467	R-404A	M3	3	5/8	1-1/8	38	208-230/60/1
MHHZ0331C	CS20K6E-TF5	CS20K6E-TF5	25468	28667	32158	R-404A	M3	3	5/8	1-1/8	38	200-230/60/3
MHHZ0431B	CS27K6E-PFV	CS27K6E-PFV	33987	38042	42324	R-404A	M5	4	5/8	1-3/8	44	208-230/60/1
MHHZ0431C	CS27K6E-TF5	CS27K6E-TF5	33532	37491	41708	R-404A	M5	4	5/8	1-3/8	44	200-230/60/3
MHHZ0501B	CS33K6E-PFV	CS33K6E-PFV	39545	44031	48868	R-404A	M5	5	5/8	1-3/8	47	200-230/60/3
MHHZ0501C	CS33K6E-TF5	CS33K6E-TF5	39036	43433	48384	R-404A	M5	5	5/8	1-3/8	44	200-230/60/3

*Deduct 7% for each 10 degree rise over 90°F.

**MCA does not include evaporator amps for room temperature 35°F and above.

Model No.	Cond Unit/Comp Model	Compressor Model	BTU/HR Capacity At Room Temp. With a 10° TD, 90° Ambient			Ref.	Base Size (See pp. 38-41)	H.P.	Connections		MCA	Voltage
			-20	-10	0				Liquid	Suction		
MHLZ0021B	AFT22C1E-CFV	AFT22C1E-CFV	1702	2210	2784	R-404A	M1	.5	3/8	5/8	13	208-230/60/1
MHLZ0031B	AFT29C1E-CFV	AFT29C1E-CFV	2276	2956	3881	R-404A	M1	.75	3/8	5/8	13	208-230/60/1
MHLZ0051B	CF04K6E-PFV	CF04K6E-PFV	2509	3945	5466	R-404A	M1	1	3/8	7/8	17	208-230/60/1
MHLZ0051C	CF04K6E-TF5	CF04K6E-TF5	2495	3769	5267	R-404A	M1	1	3/8	7/8	13	200-230/60/3
MHLZ0071B	CF06K6E-PFV	CF06K6E-PFV	4032	5938	7988	R-404A	M1	1.5	3/8	1-1/8	19	208-230/60/1
MHLZ0071C	CF06K6E-TF5	CF06K6E-TF5	3962	5722	7717	R-404A	M1	1.5	3/8	1-1/8	14	200-230/60/3
MHLZ0091B	CF09K6E-PFV	CF09K6E-PFV	6193	9133	12480	R-404A	M2	2	1/2	1-1/8	27	208-230/60/1
MHLZ0091C	CF09K6E-TF5	CF09K6E-TF5	6484	9230	12314	R-404A	M2	2	1/2	1-1/8	19	200-230/60/3
MHLZ0121B	CF12K6E-PFV	CF12K6E-PFV	8077	11559	15035	R-404A	M2	3	1/2	1-1/8	31	208-230/60/1
MHLZ0121C	CF12K6E-TF5	CF12K6E-TF5	8402	11596	14963	R-404A	M2	3	1/2	1-1/8	22	200-230/60/3

*Deduct 7% for each 10 degree rise over 90°F.

**MCA does not include evaporator amps for room temperature 35°F and above.

CONDENSING UNIT SPECIFICATIONS (cont.)

Model No.	Cond Unit/Comp Model	Compressor Model	BTU/HR Capacity At Room Temp. With a 10° TD, 90° Ambient			Ref.	Base Size (See pp. 38-41)	H.P.	Connections		MCA	Voltage
			30	35	40				Liquid	Suction		
MSHX0201B	ZB15KCE-PFV	ZB15KCE-PFV	17930	19707	21647	R-22	M2	2	1/2	7/8	27	200-230/60/1
MSHX0201C	ZB15KCE-TF5	ZB15KCE-TF5	18294	20171	22091	R-22	M2	2	1/2	7/8	19	200-230/60/3
MSHX0231B	ZB19KCE-PFV	ZB19KCE-PFV	20399	22398	24530	R-22	M2	2.5	1/2	7/8	29	200-230/60/1
MSHX0231C	ZB19KCE-TF5	ZB19KCE-TF5	20310	22310	24443	R-22	M2	2.5	1/2	7/8	19	200-230/60/3
MSHX0301B	ZB21KCE-PFV	ZB21KCE-PFV	24088	26672	29241	R-22	M3	3	5/8	7/8	35	200-230/60/1
MSHX0301C	ZB21KCE-TF5	ZB21KCE-TF5	24233	27078	29882	R-22	M3	3	5/8	7/8	26	200-230/60/3
MSHX0341B	ZB26KCE-PFV	ZB26KCE-PFV	27227	30294	33317	R-22	M3	4	5/8	1-1/8	39	200-230/60/1
MSHX0341C	ZB26KCE-TF5	ZB26KCE-TF5	28057	31058	34041	R-22	M3	4	5/8	1-1/8	38	200-230/60/3
MSHX0401B	ZB30KCE-PFV	ZB30KCE-PFV	32162	35707	39175	R-22	M5	4	1/2	7/8	43	200-230/60/1
MSHX0401C	ZB30KCE-TF5	ZB30KCE-TF5	32300	35805	39263	R-22	M5	4	5/8	1-1/8	38	200-230/60/3
MSHX0501B	ZB38KCE-PFV	ZB38KCE-PFV	36112	40687	45202	R-22	M5	5	5/8	1-1/8	48	200-230/60/1
MSHX0501C	ZB38KCE-TF5	ZB38KCE-TF5	38821	42975	47075	R-22	M5	5	5/8	1-1/8	44	200-230/60/3
MSHX0571C	ZB45KCE-TF5	ZB45KCE-TF5	45243	49929	54638	R-22	M5	6	5/8	1-1/8	44	200-230/60/3
MSHZ0201B	ZB15KCE-PFV	ZB15KCE-PFV	17312	18932	20530	R-404a	M2	2	1/2	7/8	27	200-230/60/1
MSHZ0201C	ZB15KCE-TF5	ZB15KCE-TF5	17182	18897	20577	R-404a	M2	2	1/2	7/8	19	200-230/60/3
MSHZ0251B	ZB19KCE-PFV	ZB19KCE-PFV	20947	22870	24757	R-404a	M2	2.5	1/2	7/8	29	200-230/60/1
MSHZ0251C	ZB19KCE-TF5	ZB19KCE-TF5	20779	22704	24593	R-404a	M2	2.5	1/2	7/8	19	200-230/60/3
MSHZ0301B	ZB21KCE-PFV	ZB21KCE-PFV	25734	28162	30561	R-404a	M3	3	5/8	7/8	35	200-230/60/1
MSHZ0301C	ZB21KCE-TF5	ZB21KCE-TF5	25647	28076	30475	R-404a	M3	3	5/8	7/8	26	200-230/60/3
MSHZ0351B	ZB26KCE-PFV	ZB26KCE-PFV	29464	32205	34892	R-404a	M3	4	5/8	1-1/8	39	200-230/60/1
MSHZ0351C	ZB26KCE-TF5-230	ZB26KCE-TF5-230	29294	32038	34727	R-404a	M3	4	5/8	1-1/8	38	200-230/60/3
MSHZ0401B	ZB30KCE-PFV	ZB30KCE-PFV	35061	38505	41905	R-404a	M5	4	1/2	7/8	43	200-230/60/1
MSHZ0401C	ZB30KCE-TF5	ZB30KCE-TF5	34914	38238	41519	R-404a	M5	4	1/2	7/8	38	200-230/60/3
MSHZ0501B	ZB38KCE-PFV	ZB38KCE-PFV	42516	46519	50477	R-404a	M5	5	5/8	1-1/8	48	200-230/60/1
MSHZ0501C	ZB38KCE-TF5	ZB38KCE-TF5	42309	46293	50208	R-404a	M5	5	5/8	1-1/8	44	200-230/60/3
MSHZ0581C	ZB45KCE-TF5	ZB45KCE-TF5	48996	53473	57879	R-404a	M5	6	5/8	1-1/8	44	200-230/60/3

*Deduct 7% for each 10 degree rise over 90°F.

**MCA does not include evaporator amps for room temperature 35°F and above.

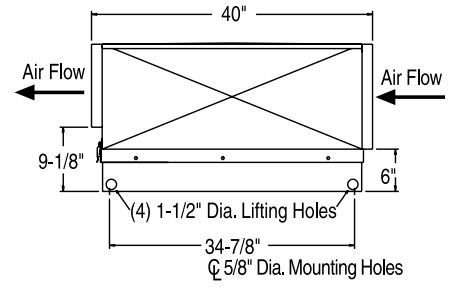
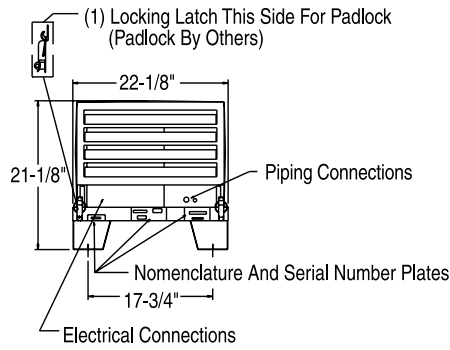
Model No.	Cond Unit/Comp Model	Compressor Model	BTU/HR Capacity At Room Temp. With a 10° TD, 90° Ambient			Ref.	Base Size (See pp. 38-41)	H.P.	Connections		MCA	Voltage
			-20	-10	0				Liquid	Suction		
MSLZ0071B	ZF06K4E-PFV	ZF06K4E-PFV	5764	7165	8680	R-404A	M1	2	3/8	7/8	22	208-230/60/1
MSLZ0071C	ZF06K4E-TF5	ZF06K4E-TF5	5764	7165	8680	R-404A	M1	2	3/8	7/8	17	200-230/60/3
MSLZ0101B	ZF09K4E-PFV	ZF09K4E-PFV	8537	10653	12980	R-404A	M2	3	3/8	7/8	27	208-230/60/1
MSLZ0101C	ZF09K4E-TF5	ZF09K4E-TF5	8537	10653	12980	R-404A	M2	3	3/8	7/8	21	200-230/60/3
MSLZ0151B	ZF13K4E-PFV	ZF13K4E-PFV	11729	14994	18532	R-404A	M3	4	1/2	7/8	43	208-230/60/1
MSLZ0151C	ZF13K4E-TF5	ZF13K4E-TF5	11729	14994	18532	R-404A	M3	4	1/2	7/8	32	200-230/60/3
MSLZ0181B	ZF15K4E-PFV	ZF15K4E-PFV	15159	18970	23294	R-404A	M3	5	1/2	1-1/8	49	208-230/60/1
MSLZ0181C	ZF15K4E-TF5	ZF15K4E-TF5	15082	18945	23335	R-404A	M3	5	1/2	1-1/8	36	200-230/60/3
MSLZ0221C	ZF18K4E-TF5	ZF18K4E-TF5	18191	23018	28448	R-404A	M5	6	1/2	1-1/8	39	200-230/60/3

*Deduct 7% for each 10 degree rise over 90°F.

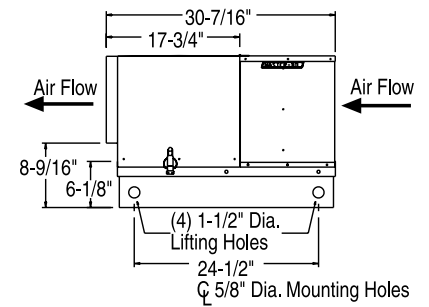
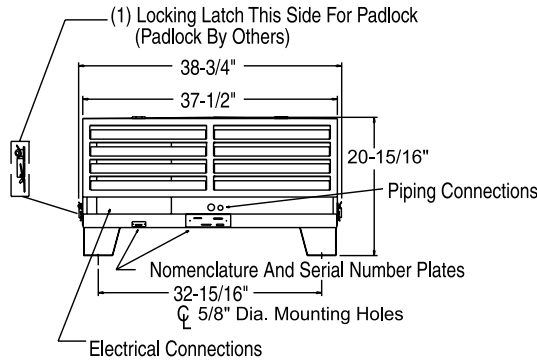
**MCA does not include evaporator amps for room temperature 35°F and above.

UNIT BASE SPECIFICATIONS

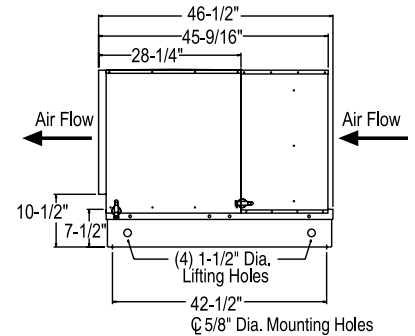
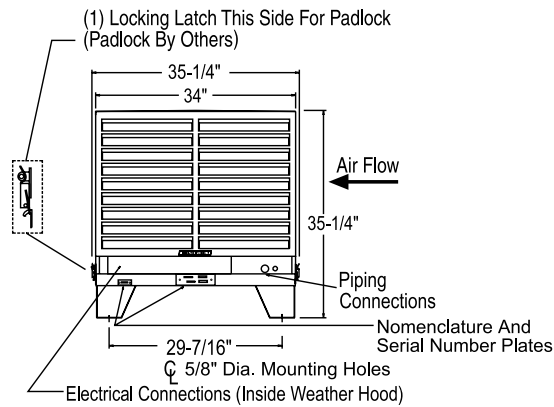
BASE "A"



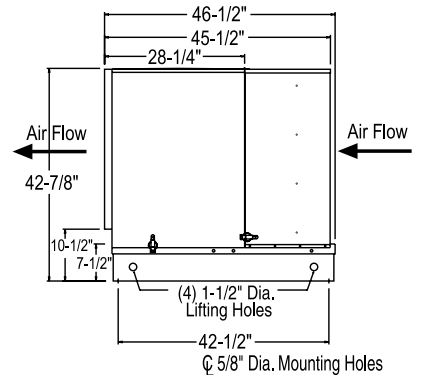
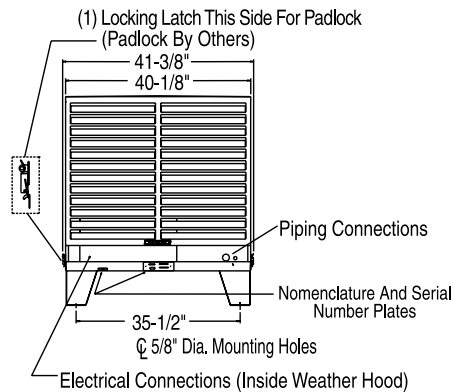
BASE "B"



BASE "C"

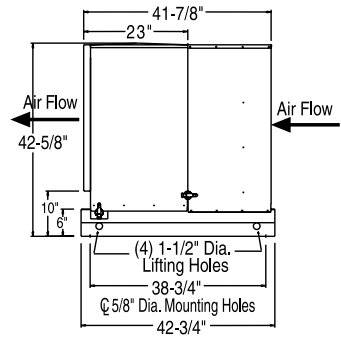
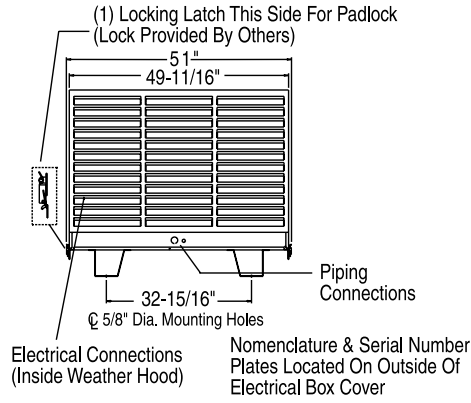


BASE "D"

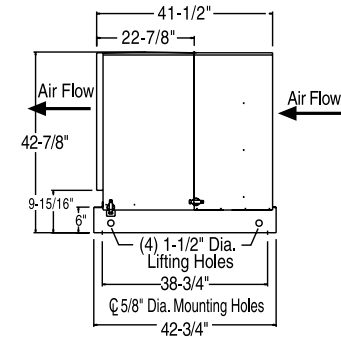
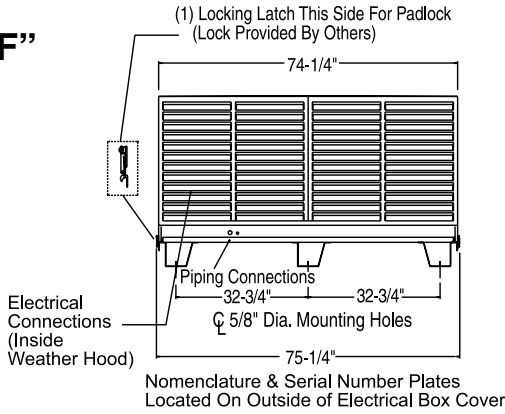


UNIT BASE SPECIFICATIONS (CONT.)

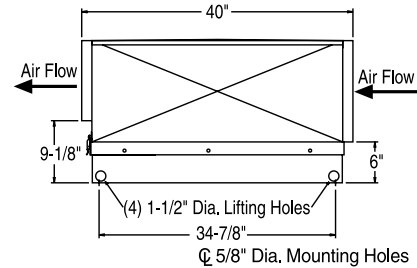
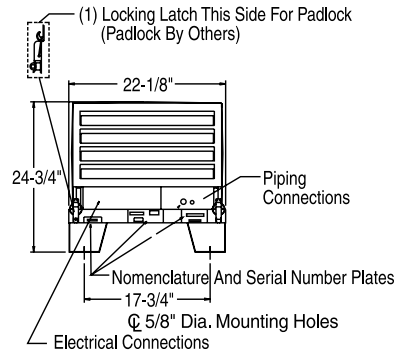
BASE "E"



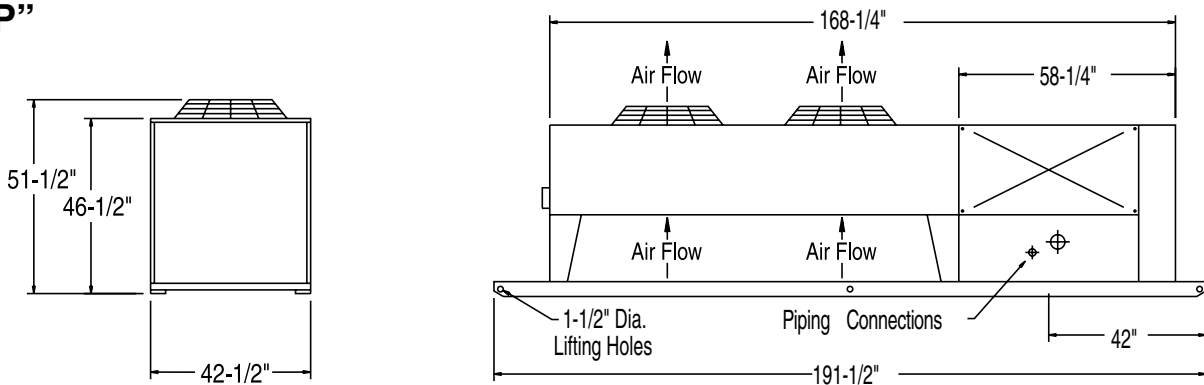
BASE "F"



BASE "N"

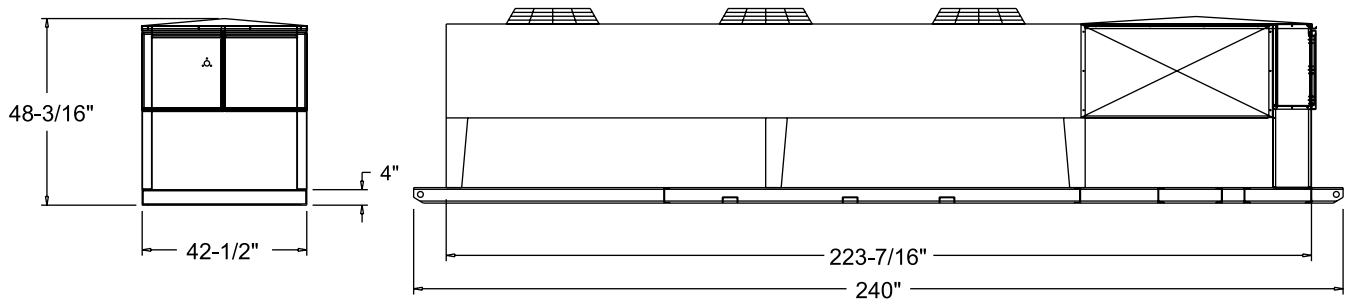


BASE "P"



UNIT BASE SPECIFICATIONS (CONT.)

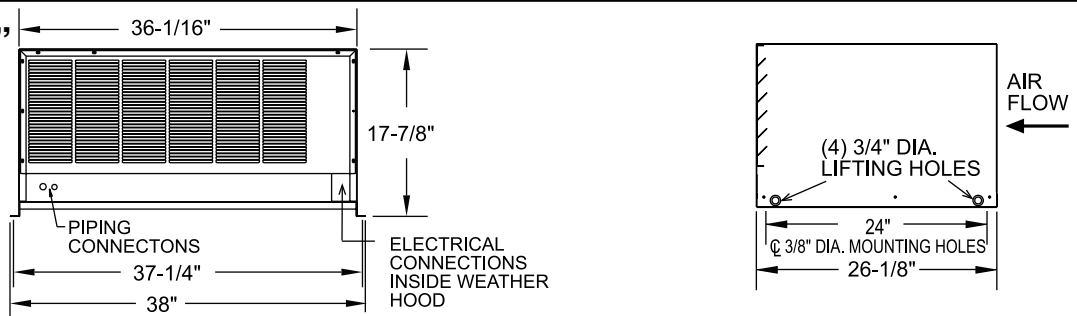
BASE "R"



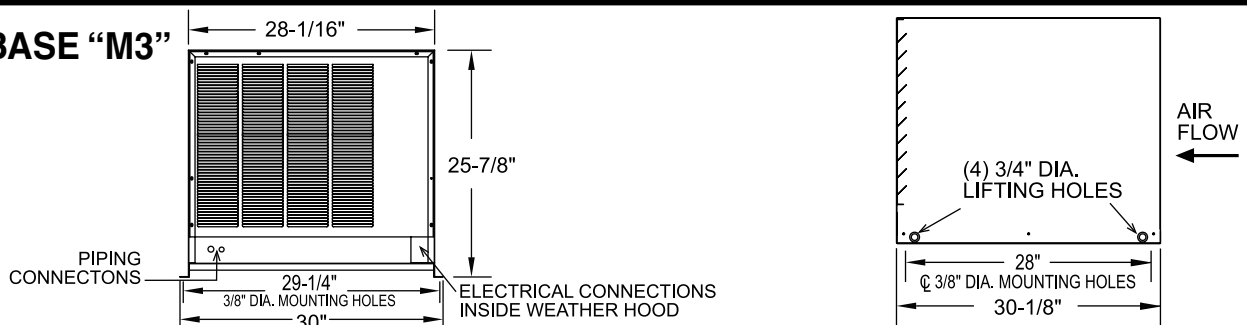
BASE "M1"



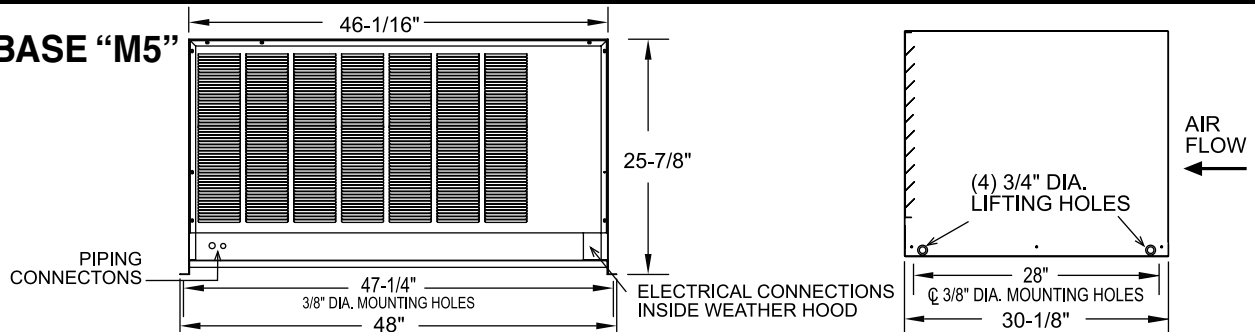
BASE "M2"



BASE "M3"



BASE "M5"



SALE AND DISPOSAL

If you sell or give away your walk-in refrigeration system or components you must make sure that all safety labels and the Refrigeration Unit Installation and Operations Manual are included. If you need replacement labels or manuals, contact the service department at **888-478-8600**.

The customer service department should be contacted at the time of sale or disposal of your walk-in so records may be kept of its new location.

If you sell or give away your refrigeration equipment and you evacuate the refrigerant charge before shipment, you must evacuate the refrigerant into an approved recovery and reclaim system in order to satisfy all applicable federal and state regulations regarding release of refrigerant compounds into the atmosphere.

The release of refrigerant compounds into the atmosphere is a source of ozone depletion and regulated by federal and state law.

INSTALLATION DATA

Date System Installed _____

Installer and Address

Phone: _____

Condensing Unit

Model _____

Serial _____

Electrical _____ Volts _____ Phase _____

Evaporator(s)

Quantity _____

Model _____

Serial _____

Thermostat Setting _____ °F

Defrost Setting _____ /24 hrs. _____ Min. Fail Safe

Electrical _____ Volts _____ Amps

Operating Pressures _____ Suction _____ Discharge
